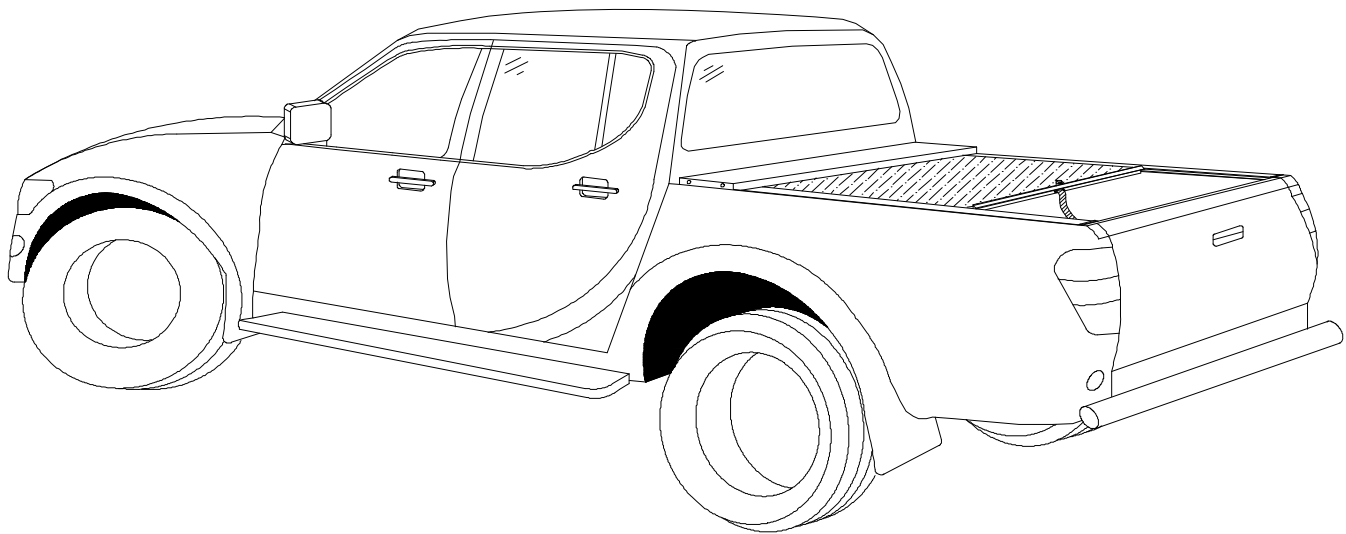




## INSTALLATION GUIDE

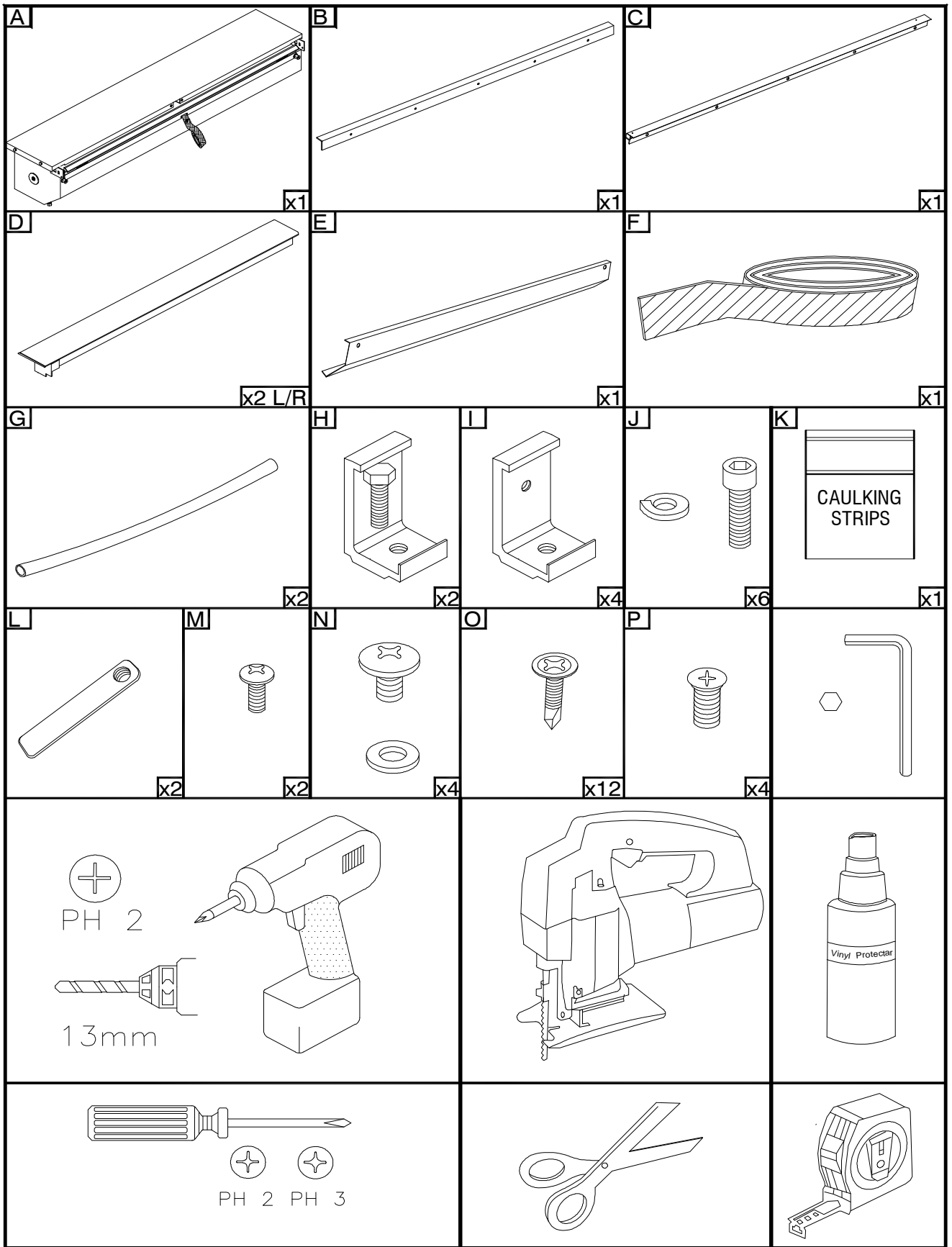
2009 - CURRENT  
MITSUBISHI L200 DOUBLE CAB

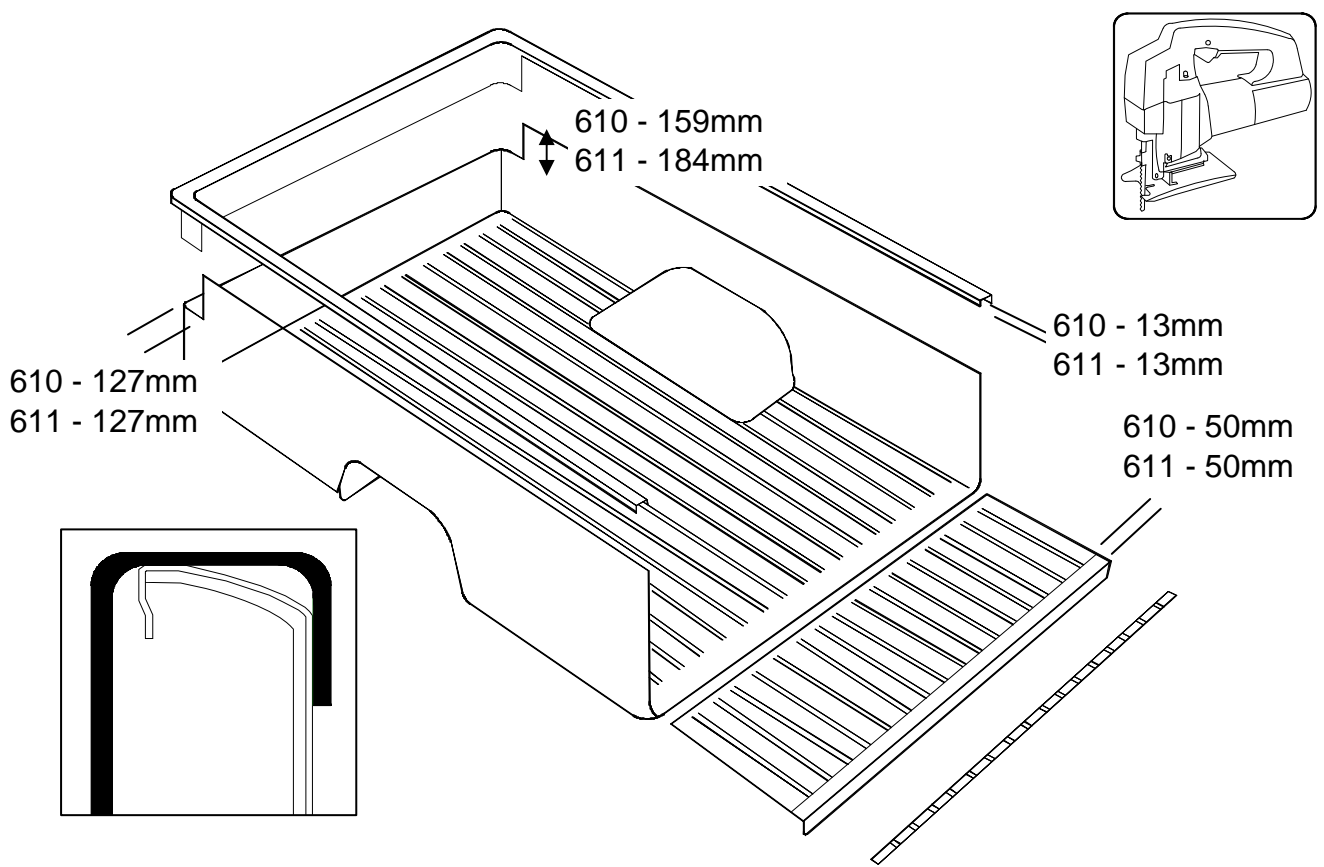
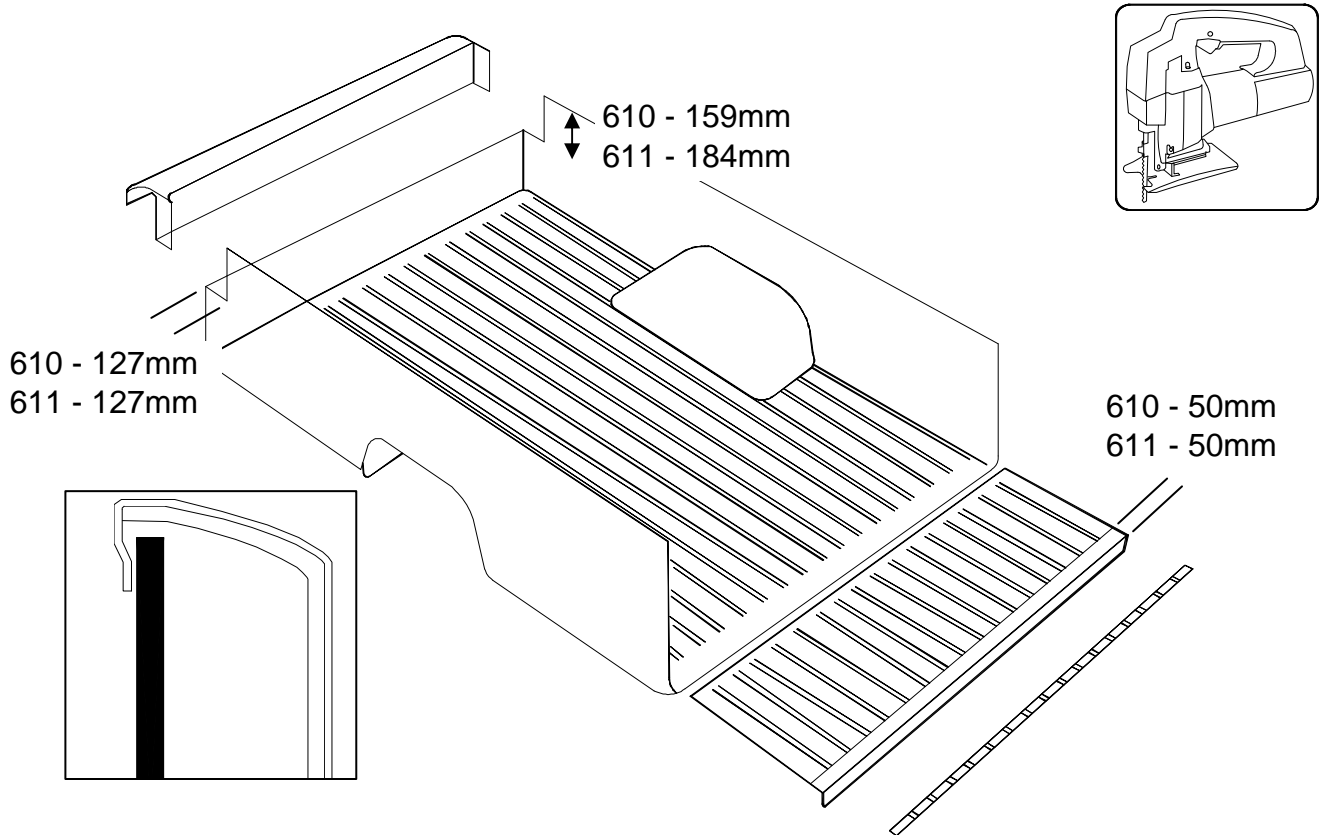


PRODUCT CODE:  
610, 611

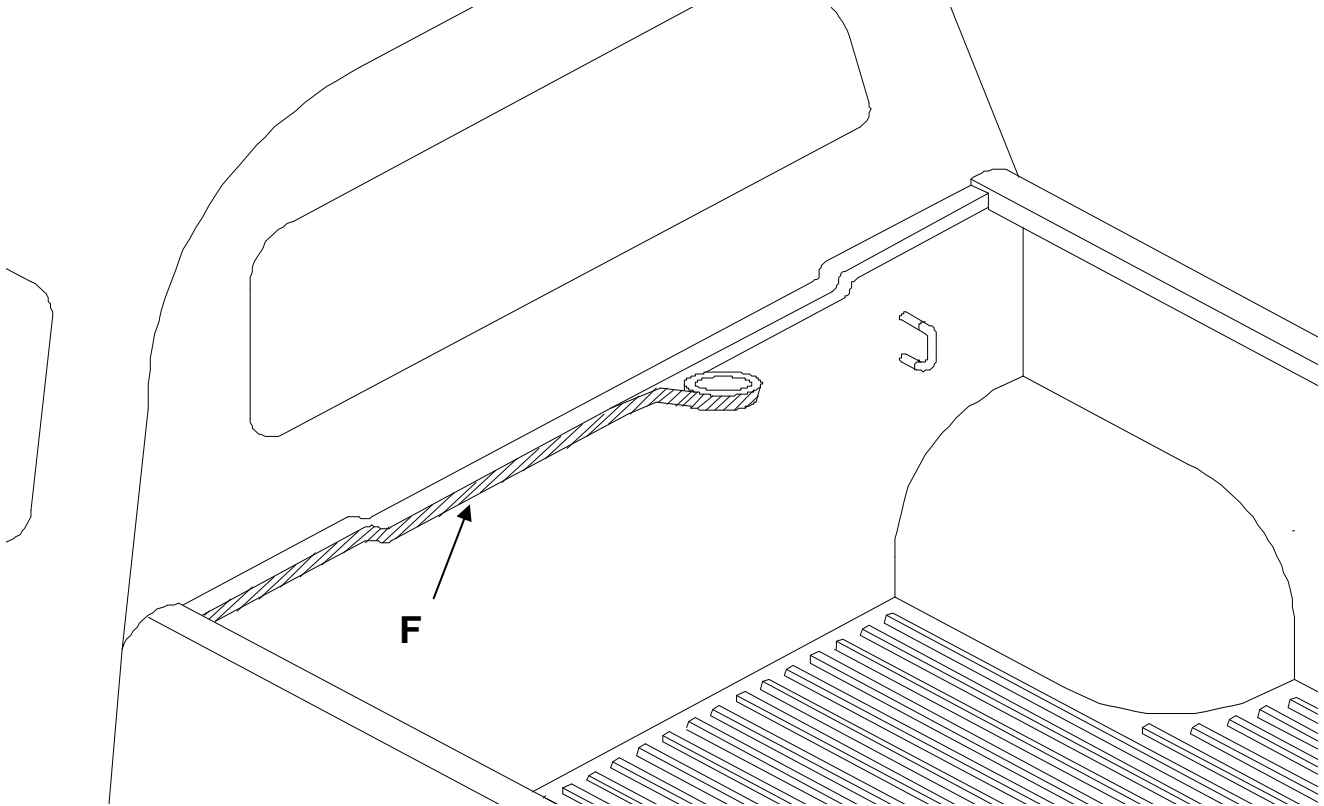
May 23, 2011

[www.rollnlock.com](http://www.rollnlock.com)

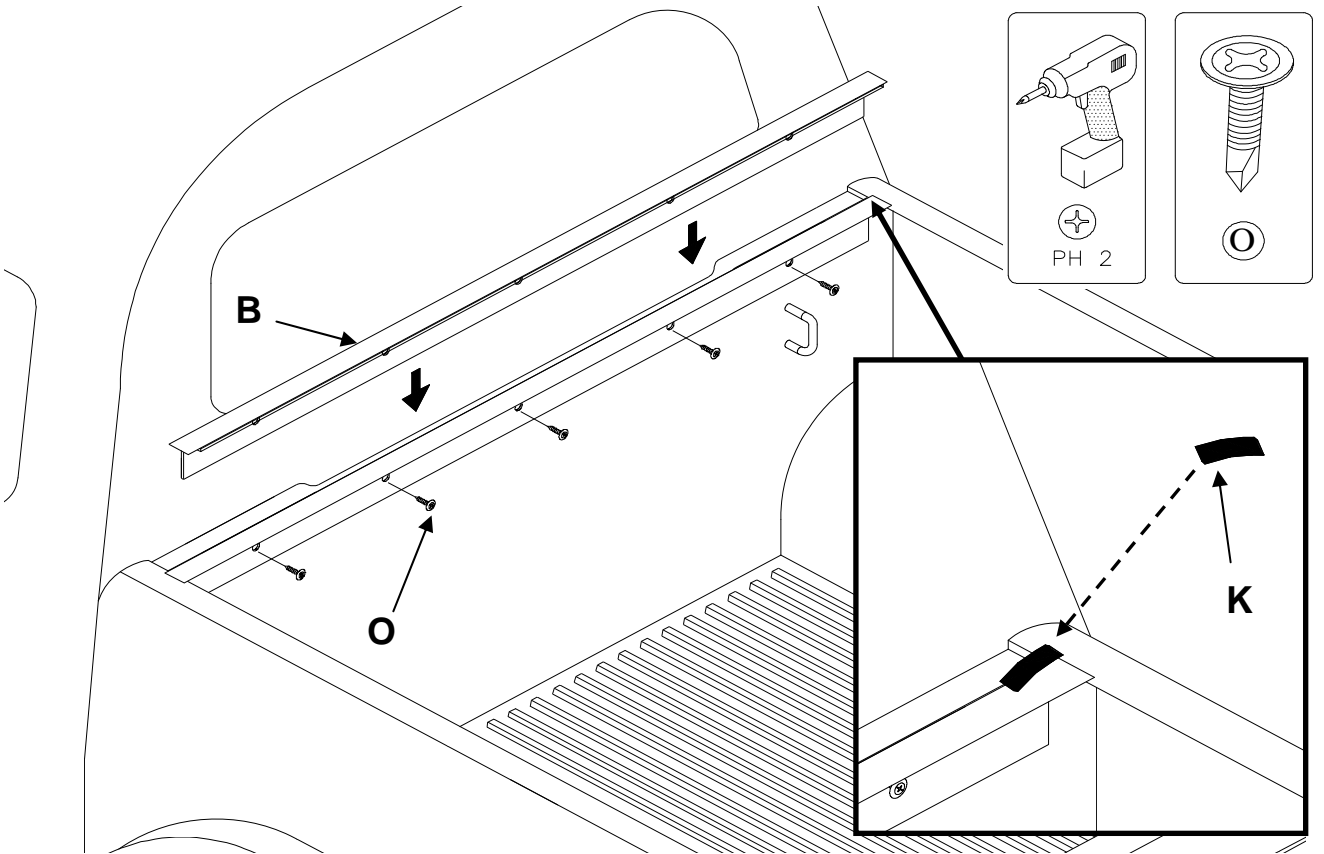




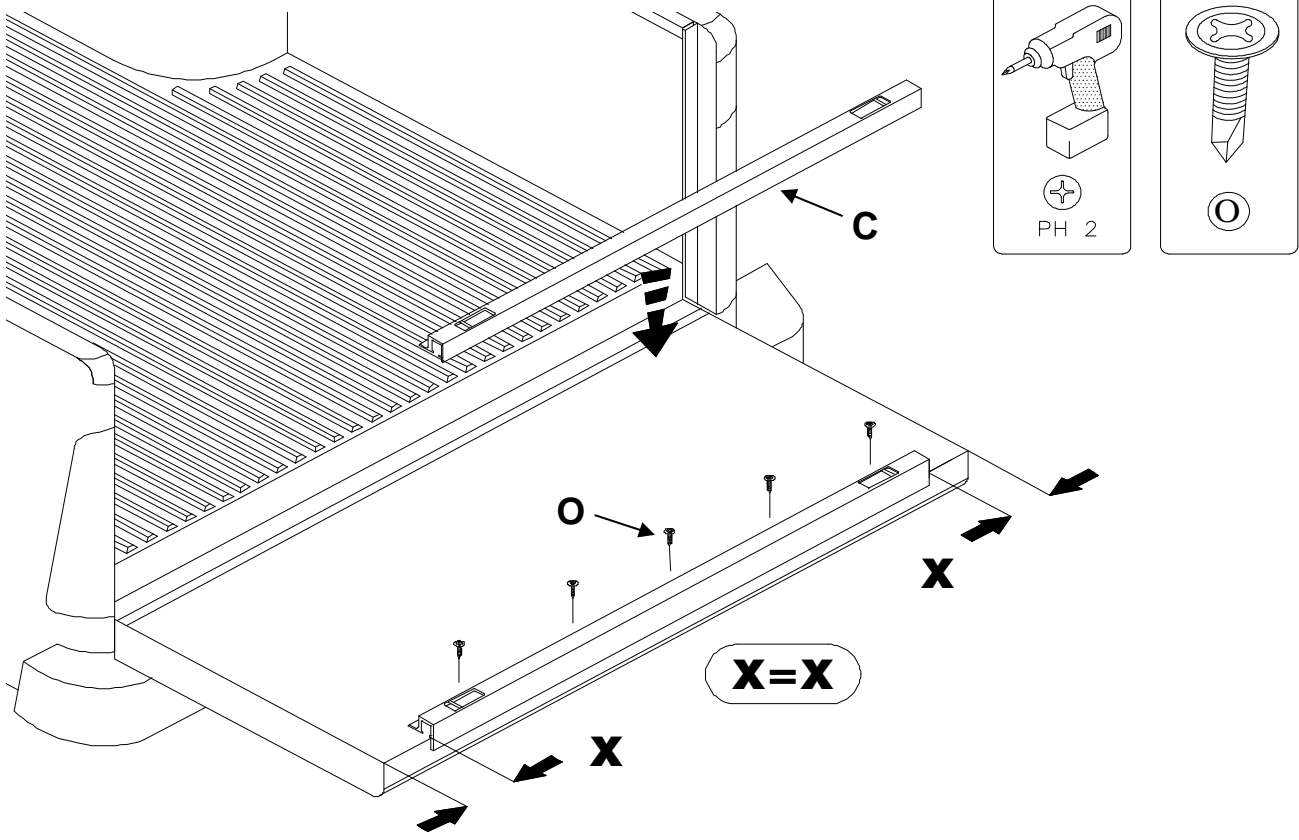
1



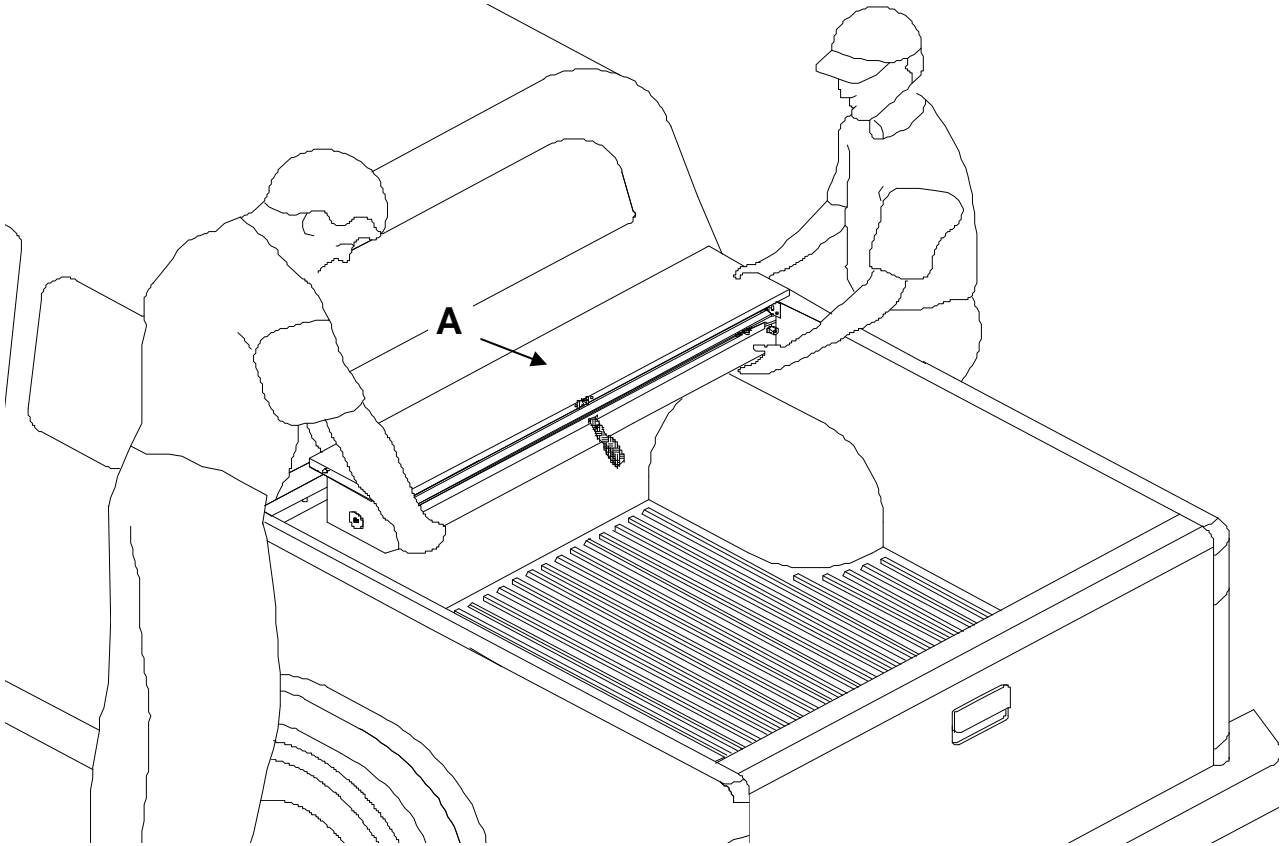
2



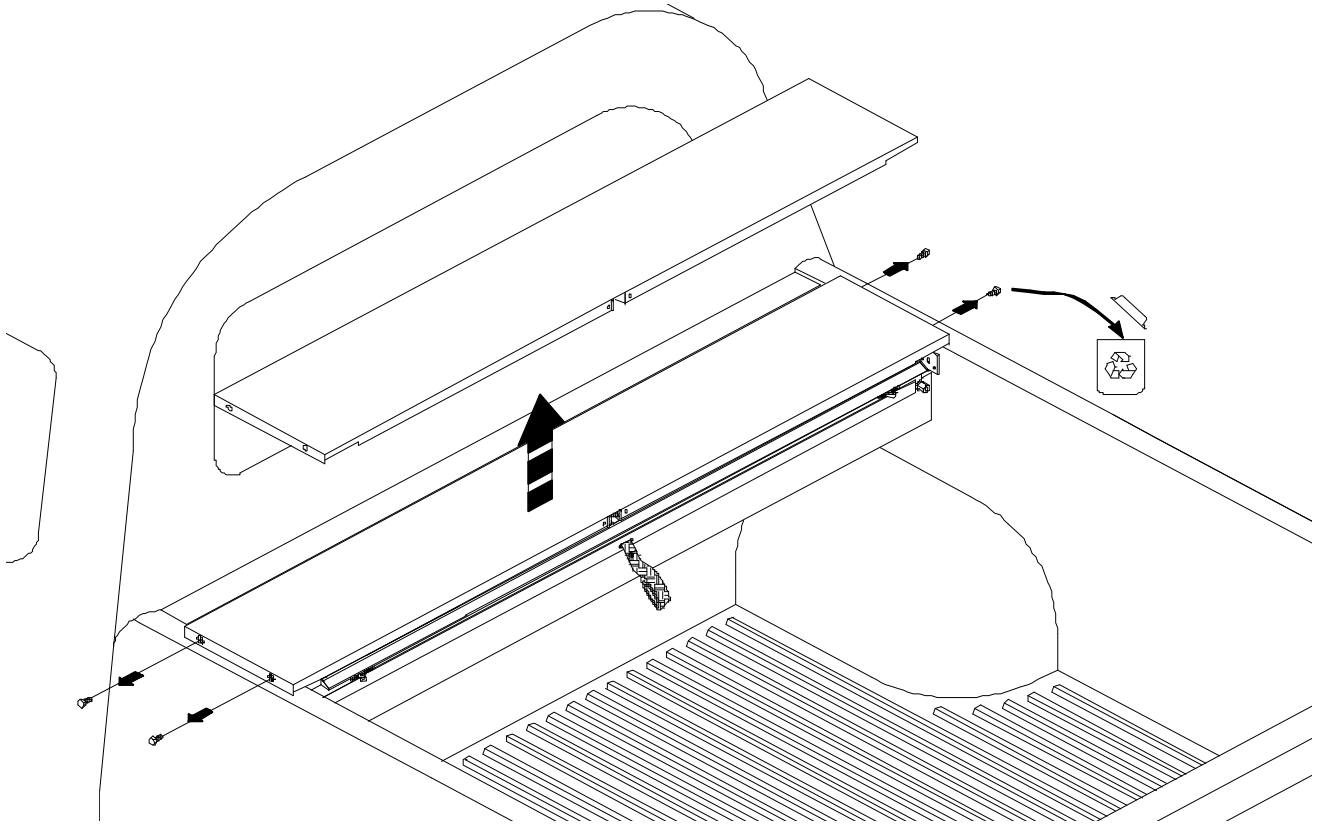
3



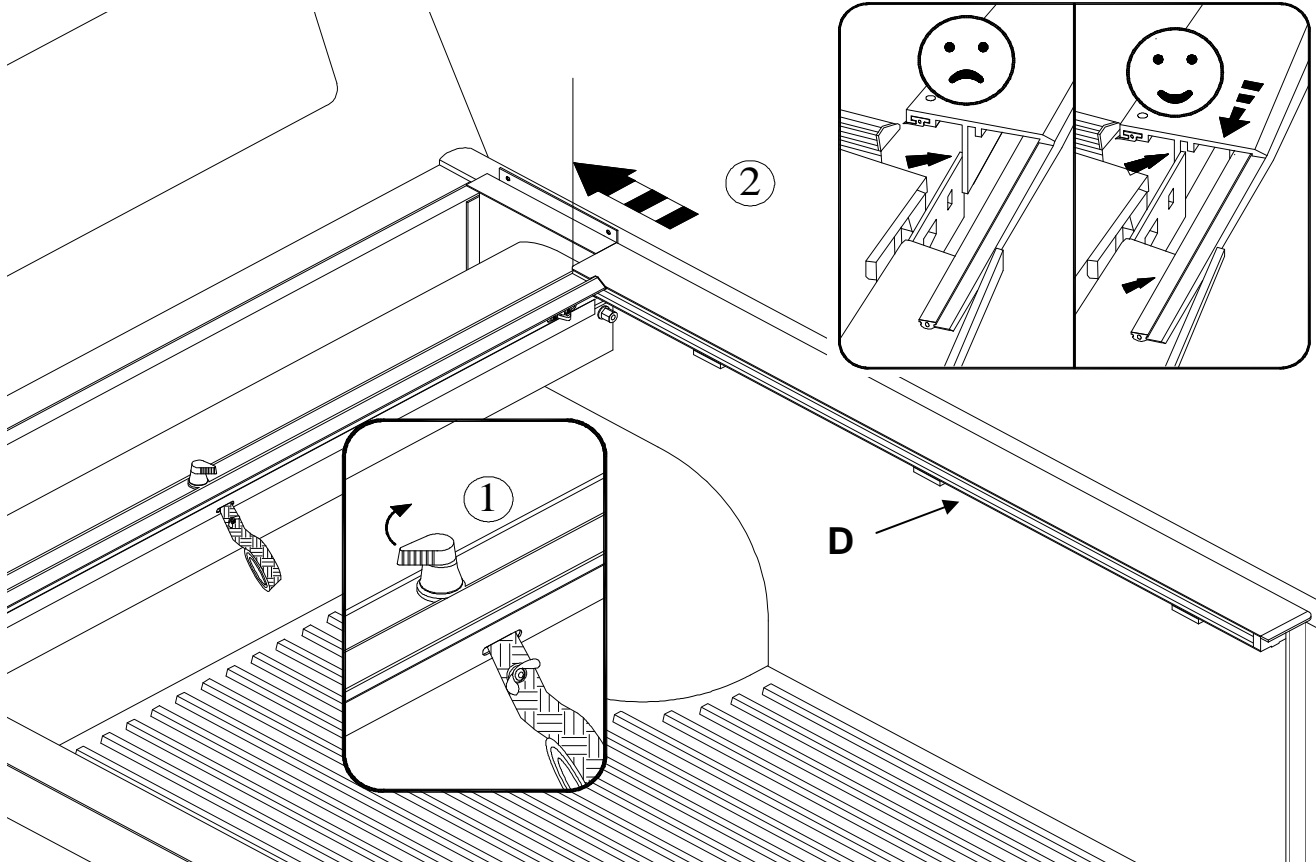
4

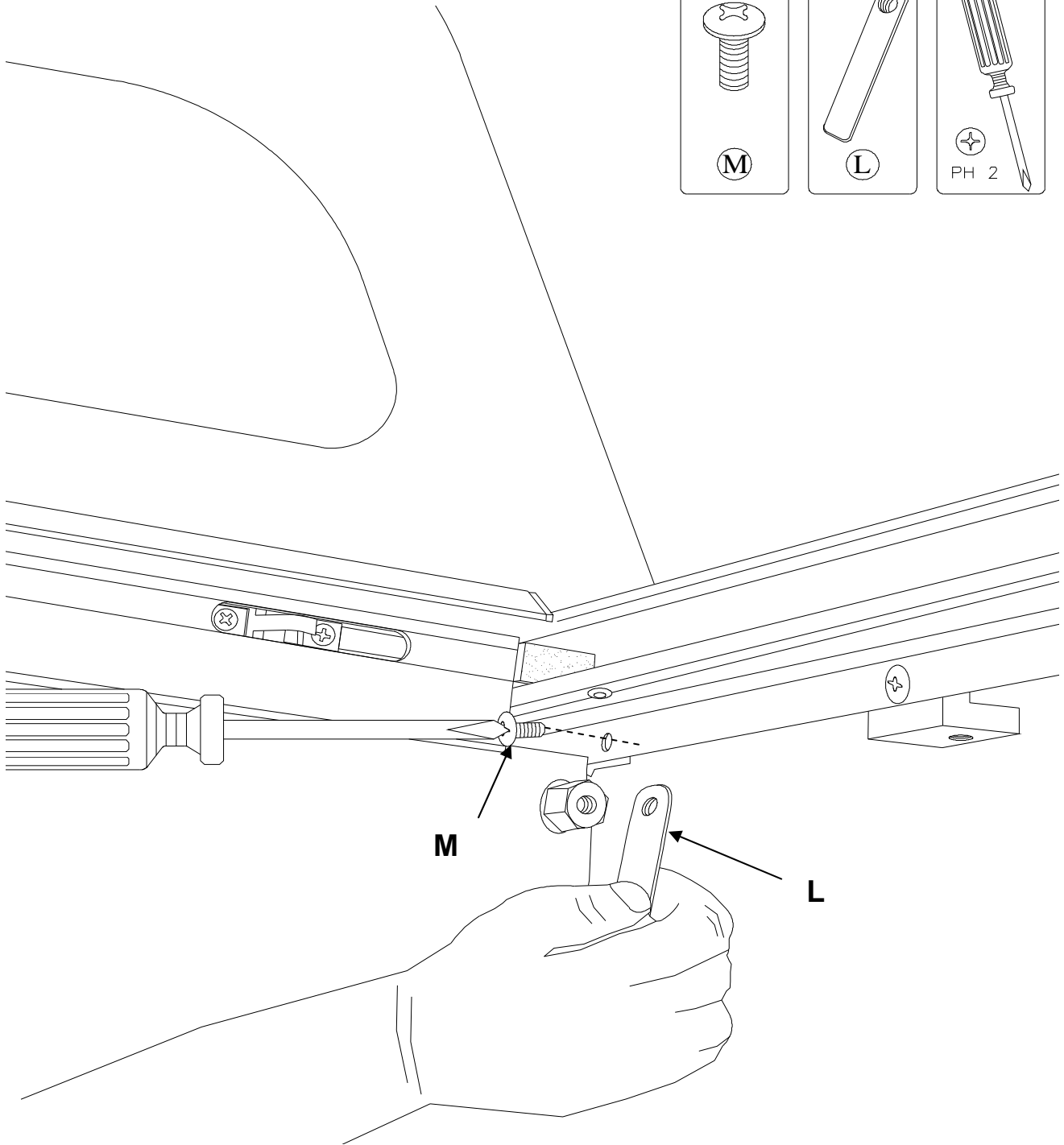
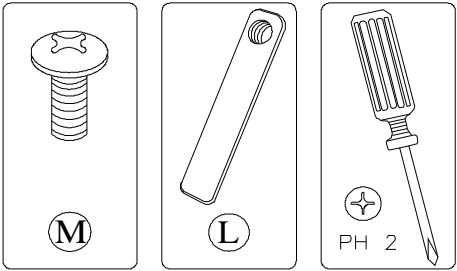


5

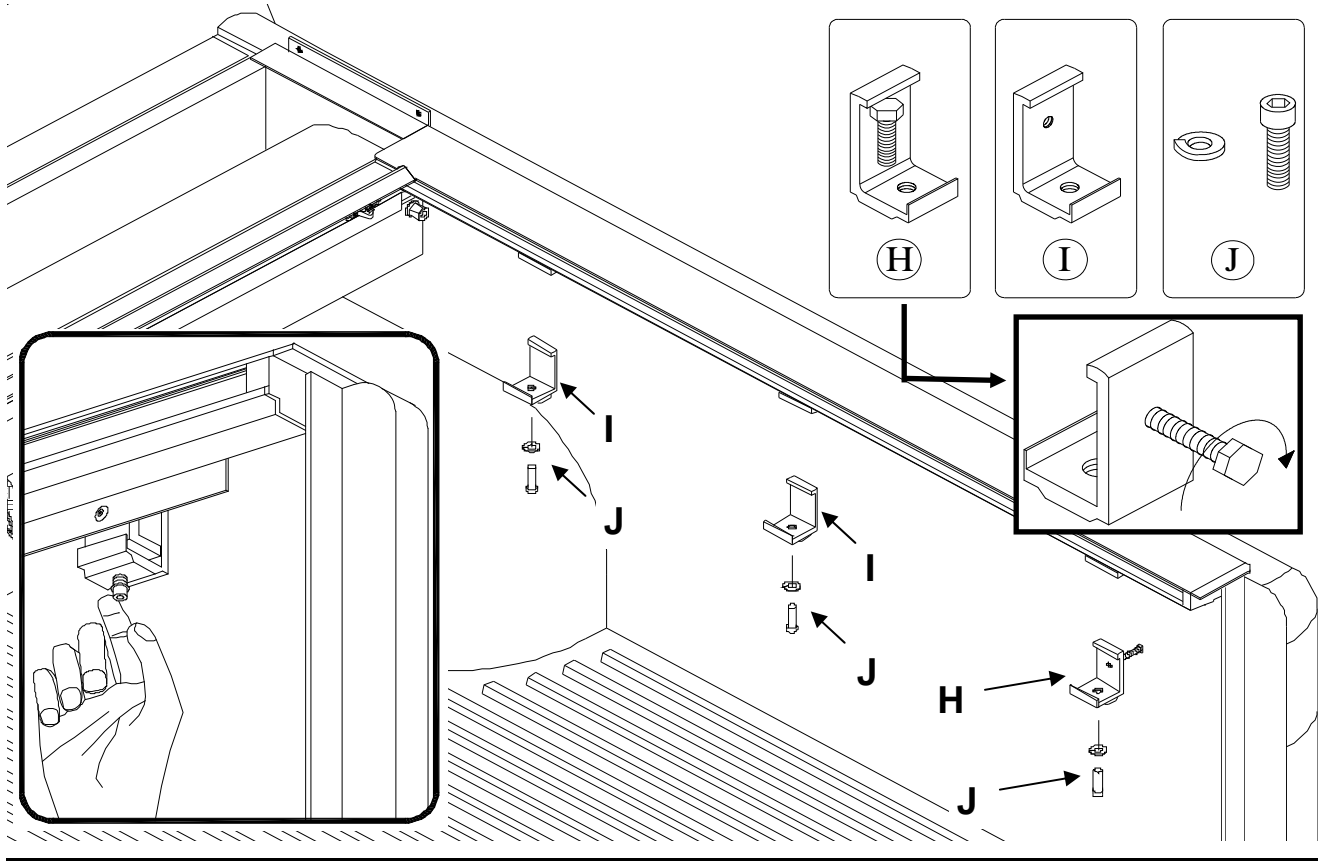


6

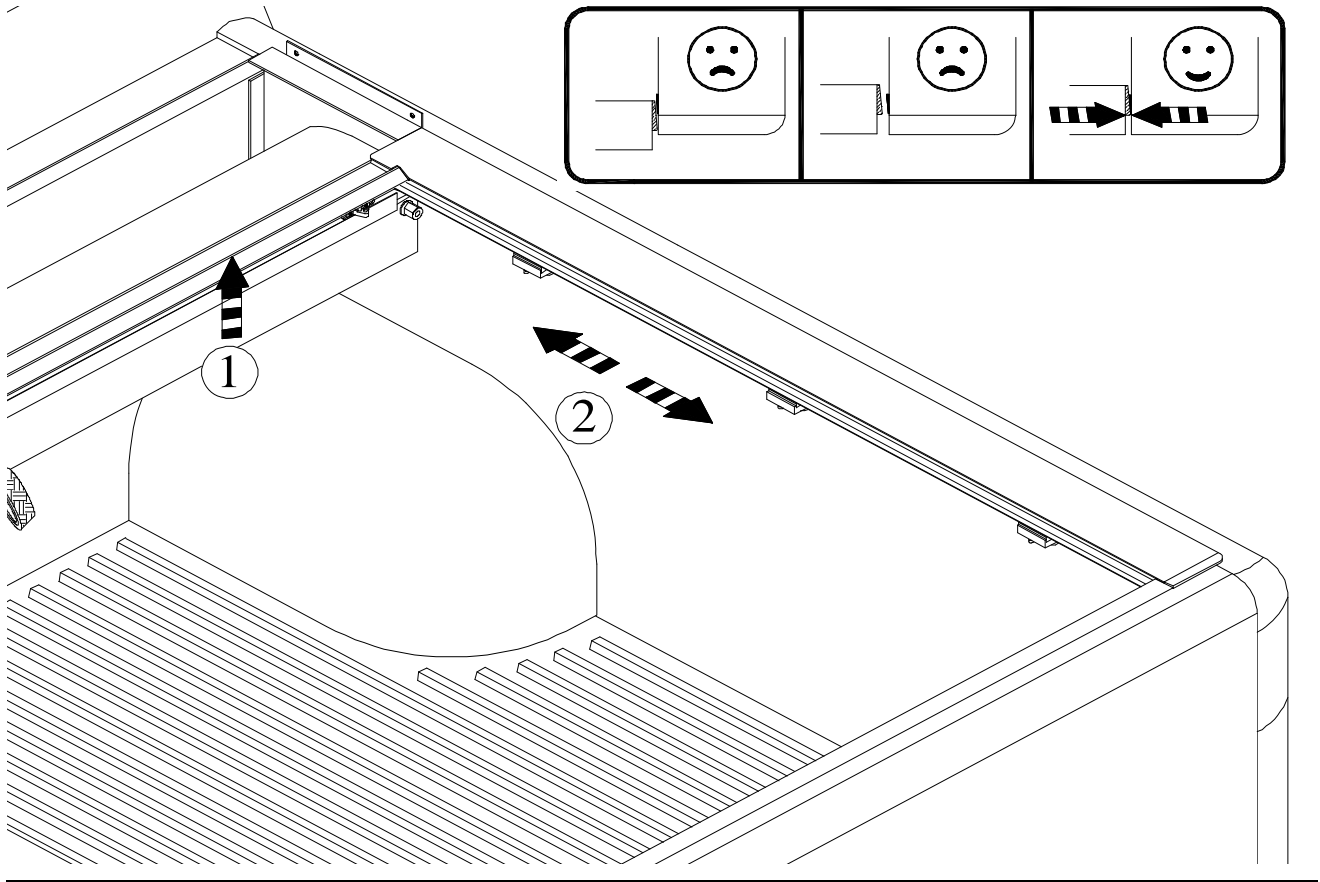




8

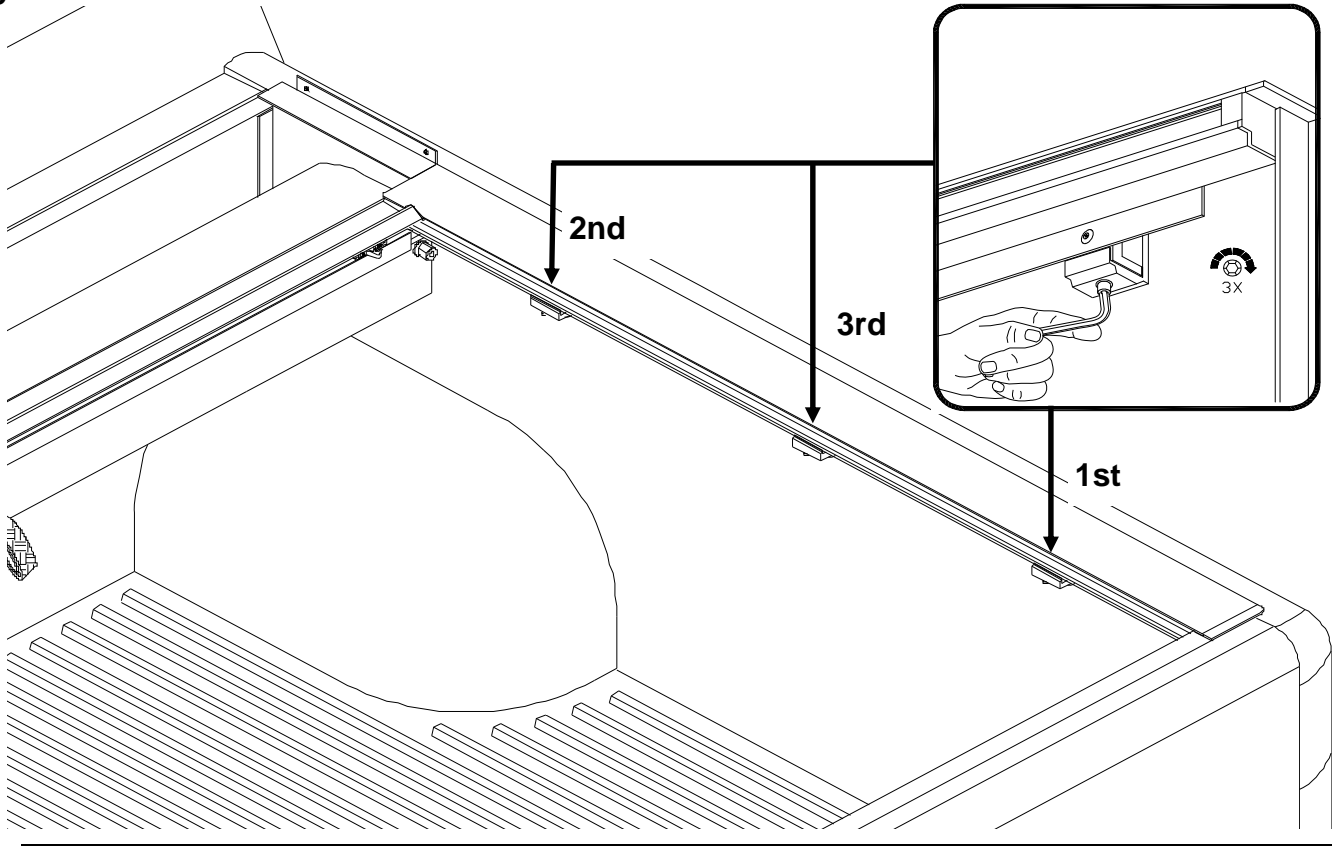


9

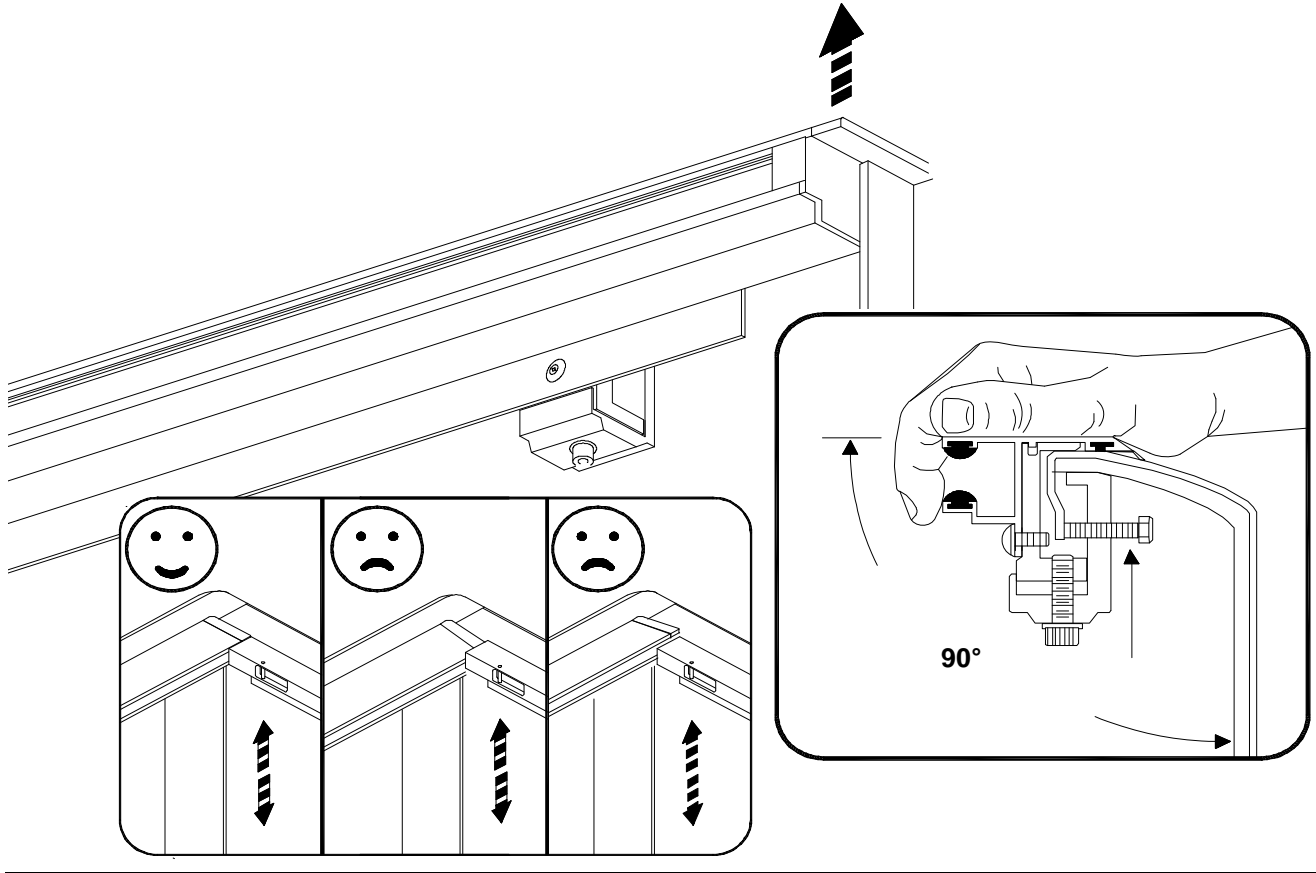




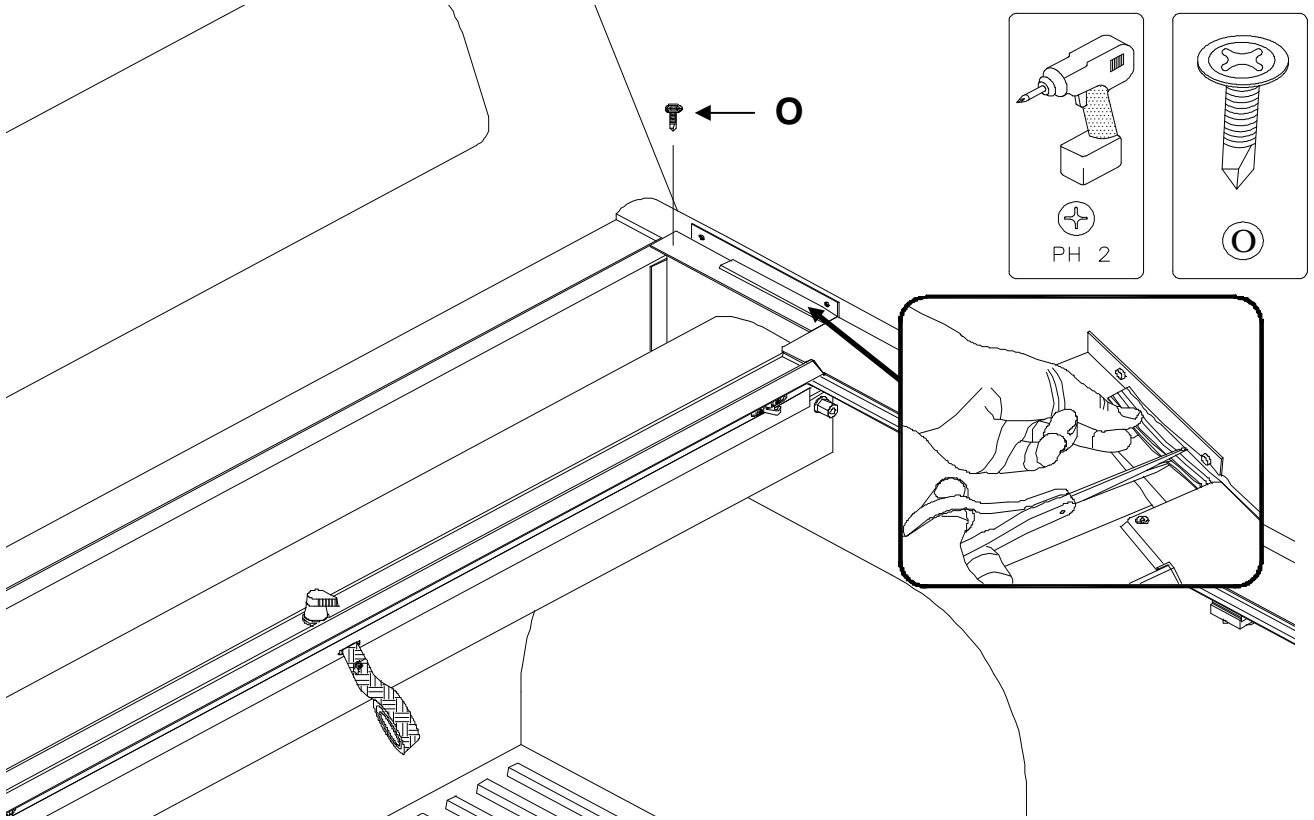
10



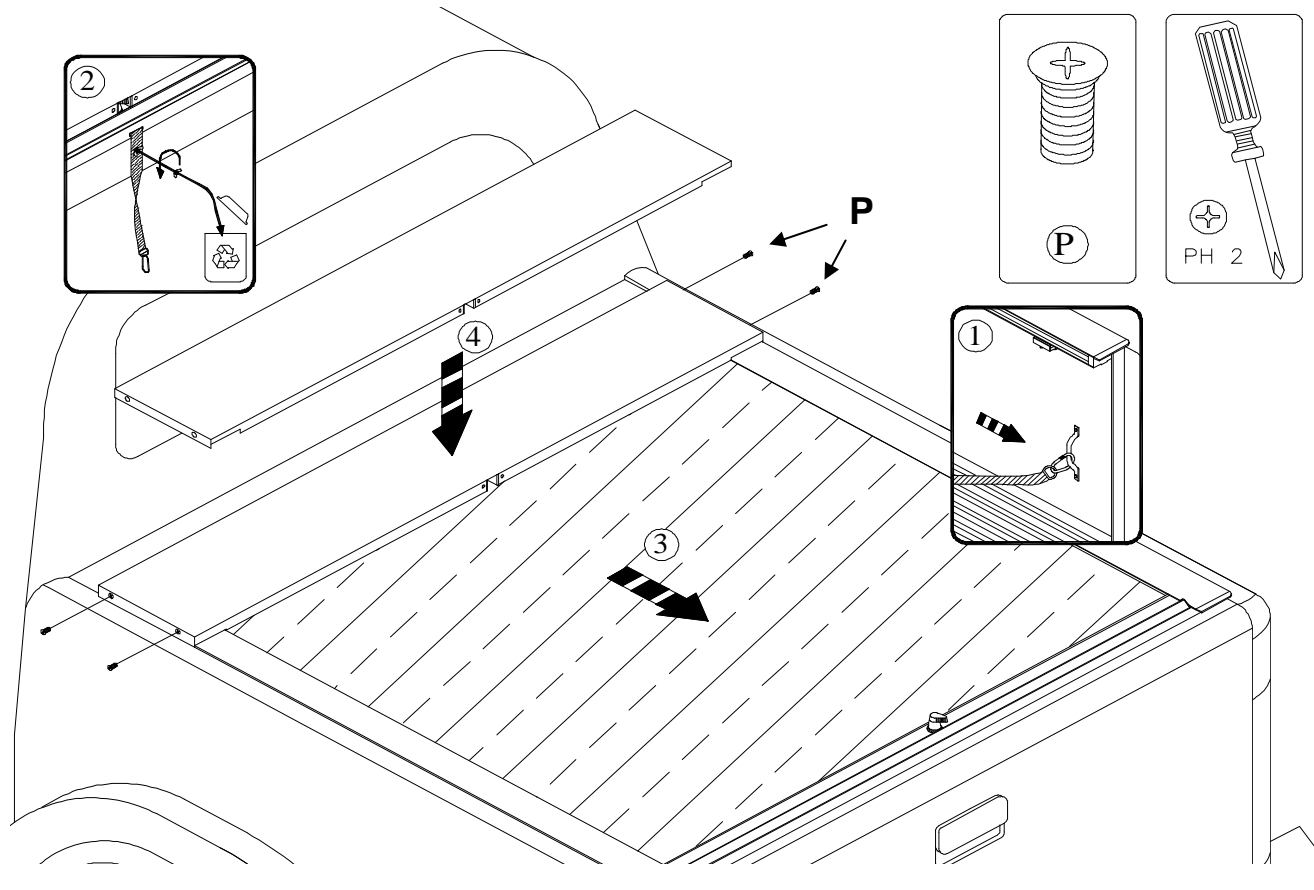
11



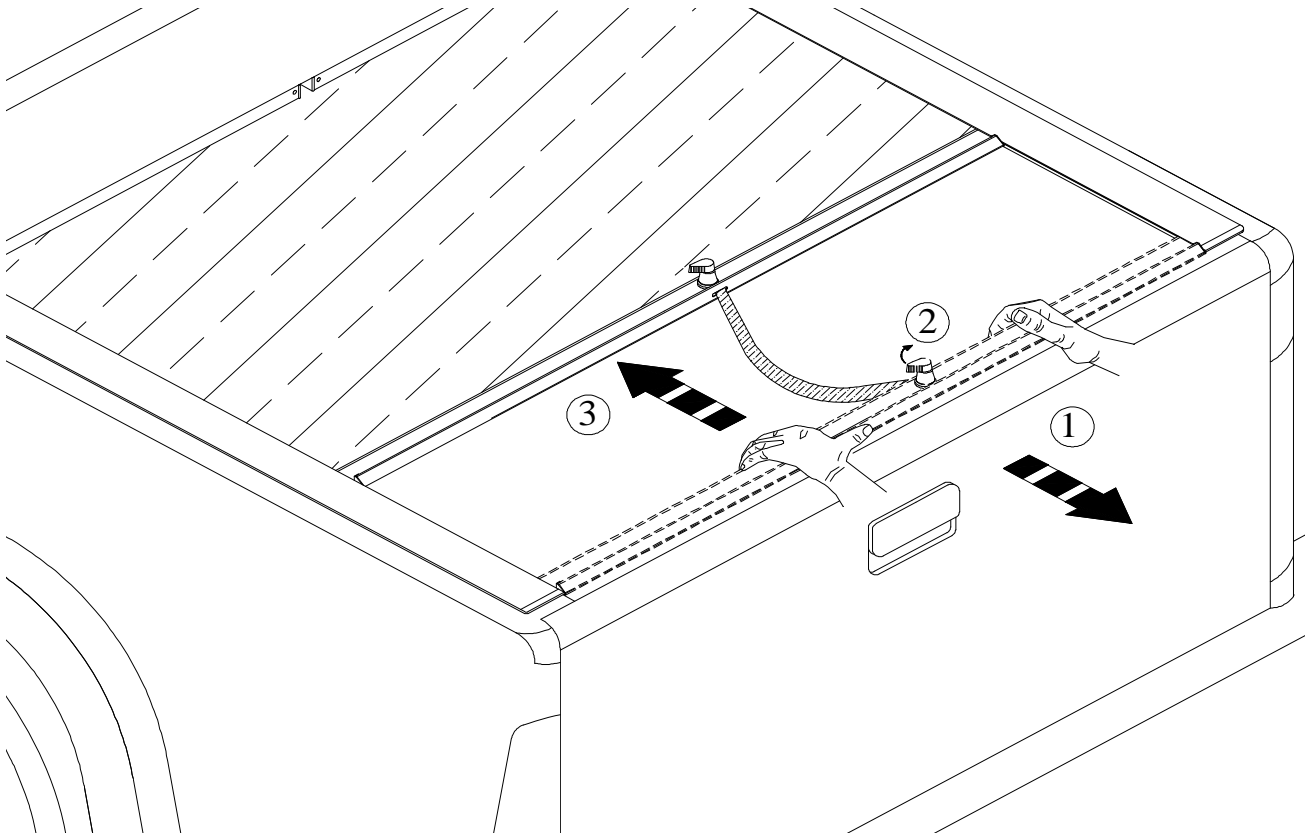
12



13



14



15

