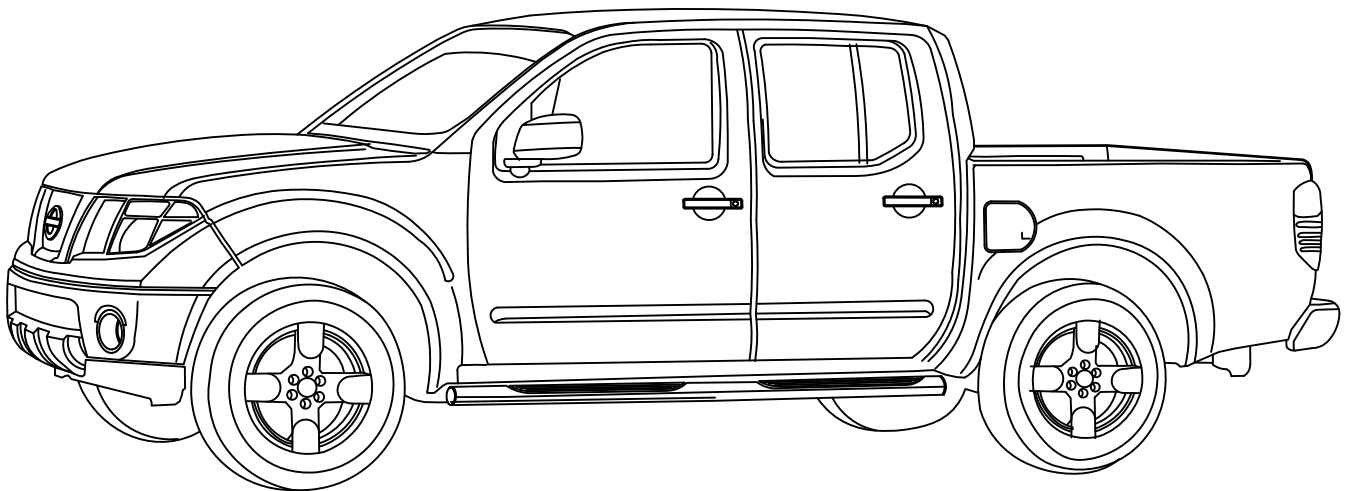




Installation Guide

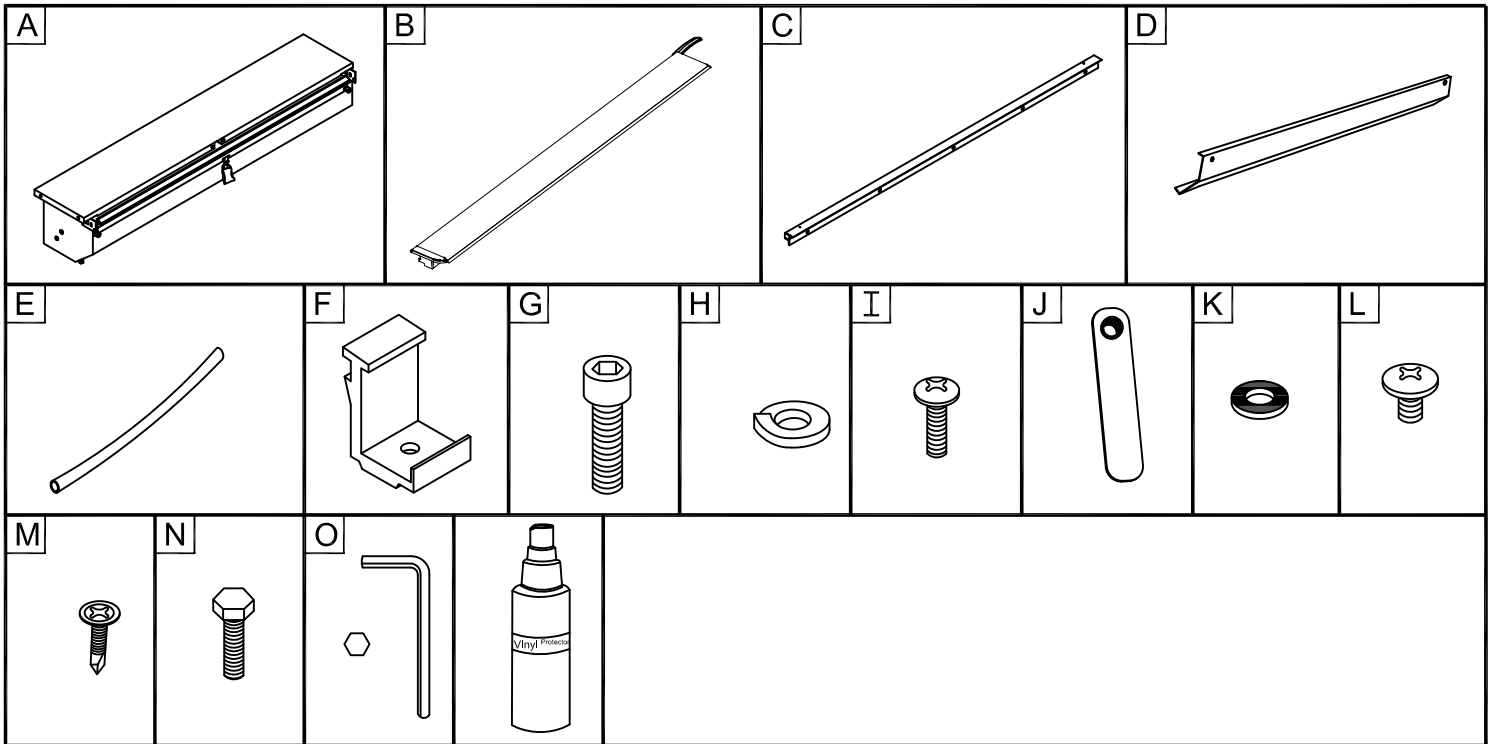
Nissan - Navara



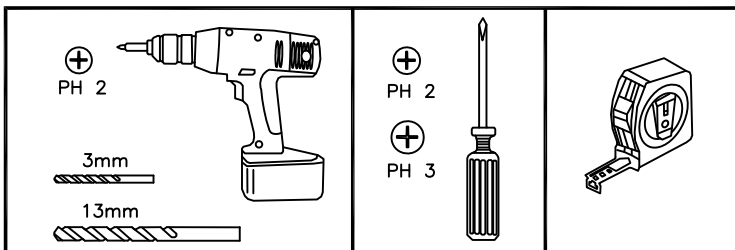
Product Code:
803 - 809

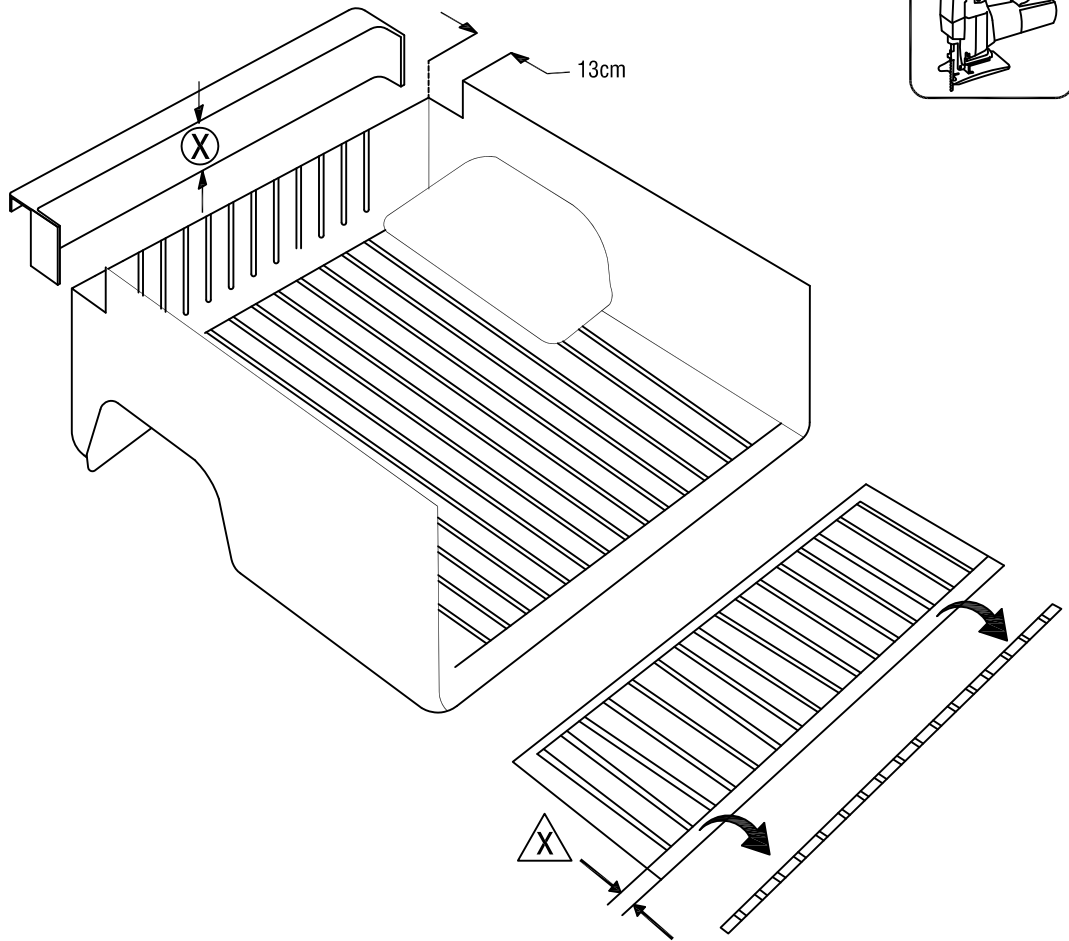
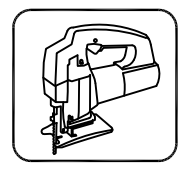
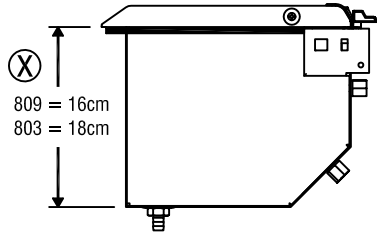
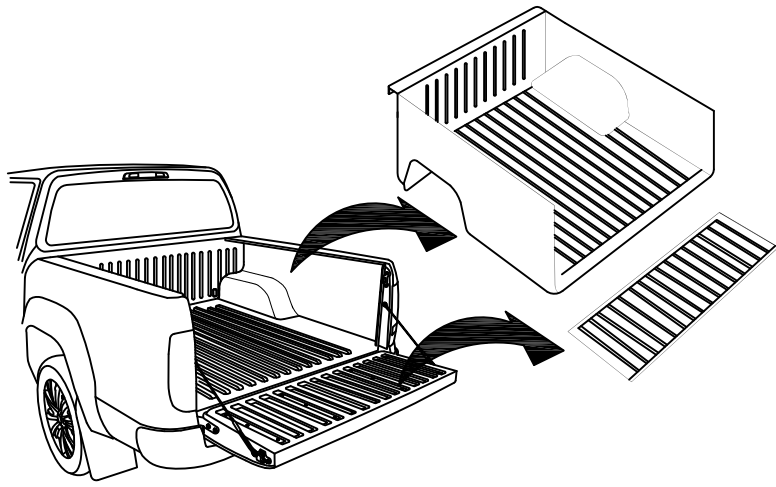
PARTS LIST

Item	Part Name	Qty.	Item	Part Name	Qty.	Item	Part Name	Qty.
A	Housing	1	G	5/16" Socket Cap Screw	6	M	#8 Tek Screw	5
B	Track	2	H	5/16" Lock Washer	6	N	1/4-20 x 1" Bolt	2
C	Tailgate Extrusion	1	I	#10-24 Screw	2	O	Allen Wrench	1
D	Cargo Shield	1	J	Cargo Nut	2		Vinyl Protector	1
E	Drain Tube	2	K	Black Rubber Washer	4			
F	#3 Bed Clamp	6	L	1/4-20 x 3/8" Screw	4			

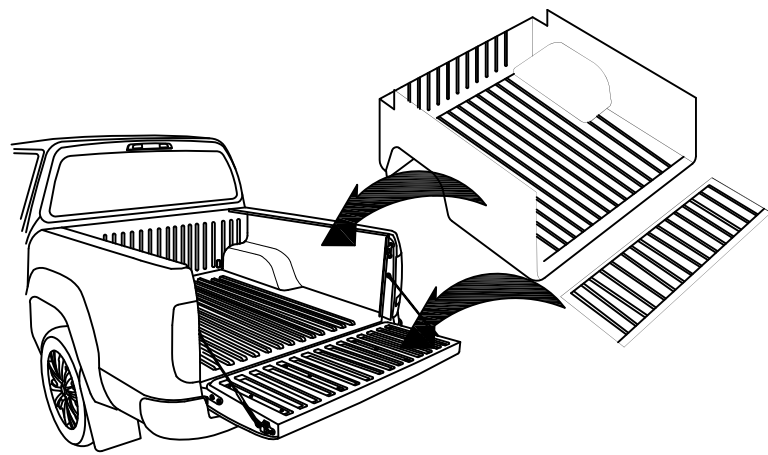


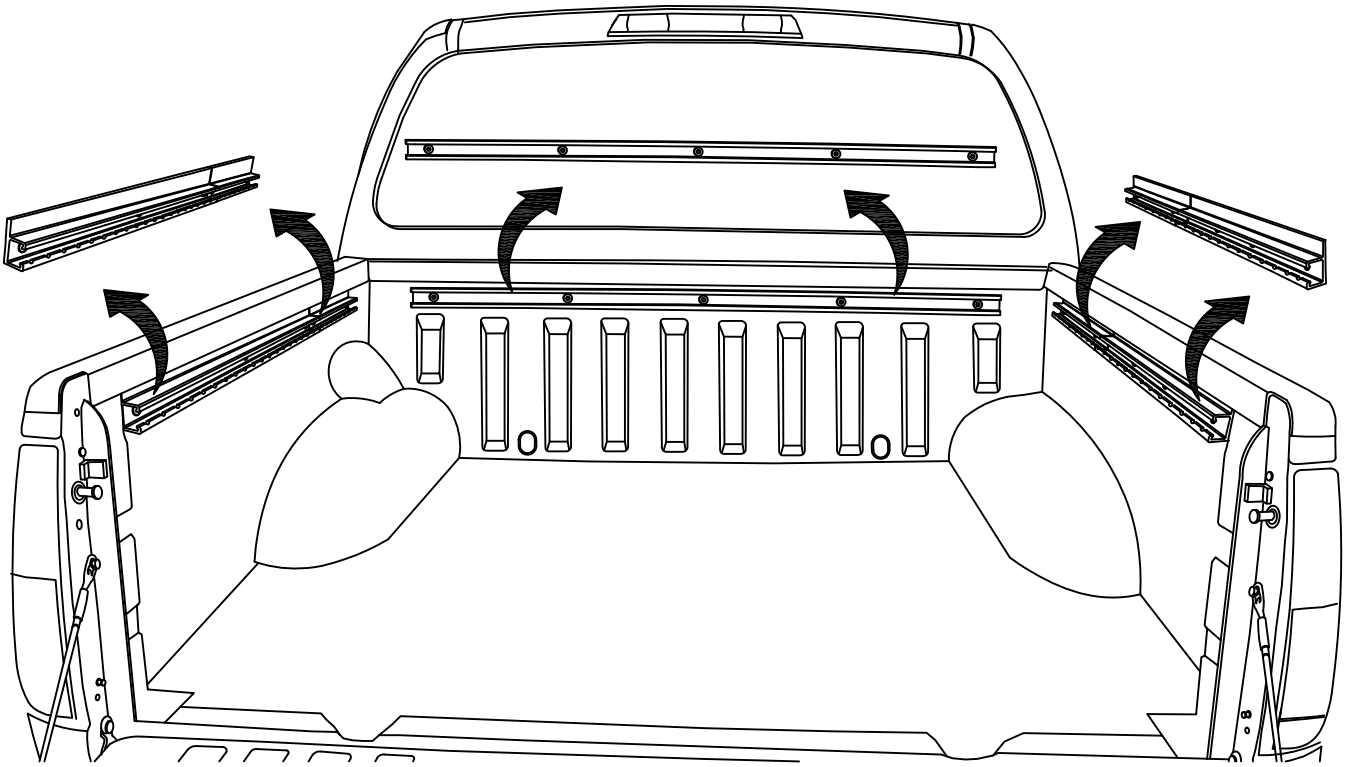
TOOLS NEEDED:



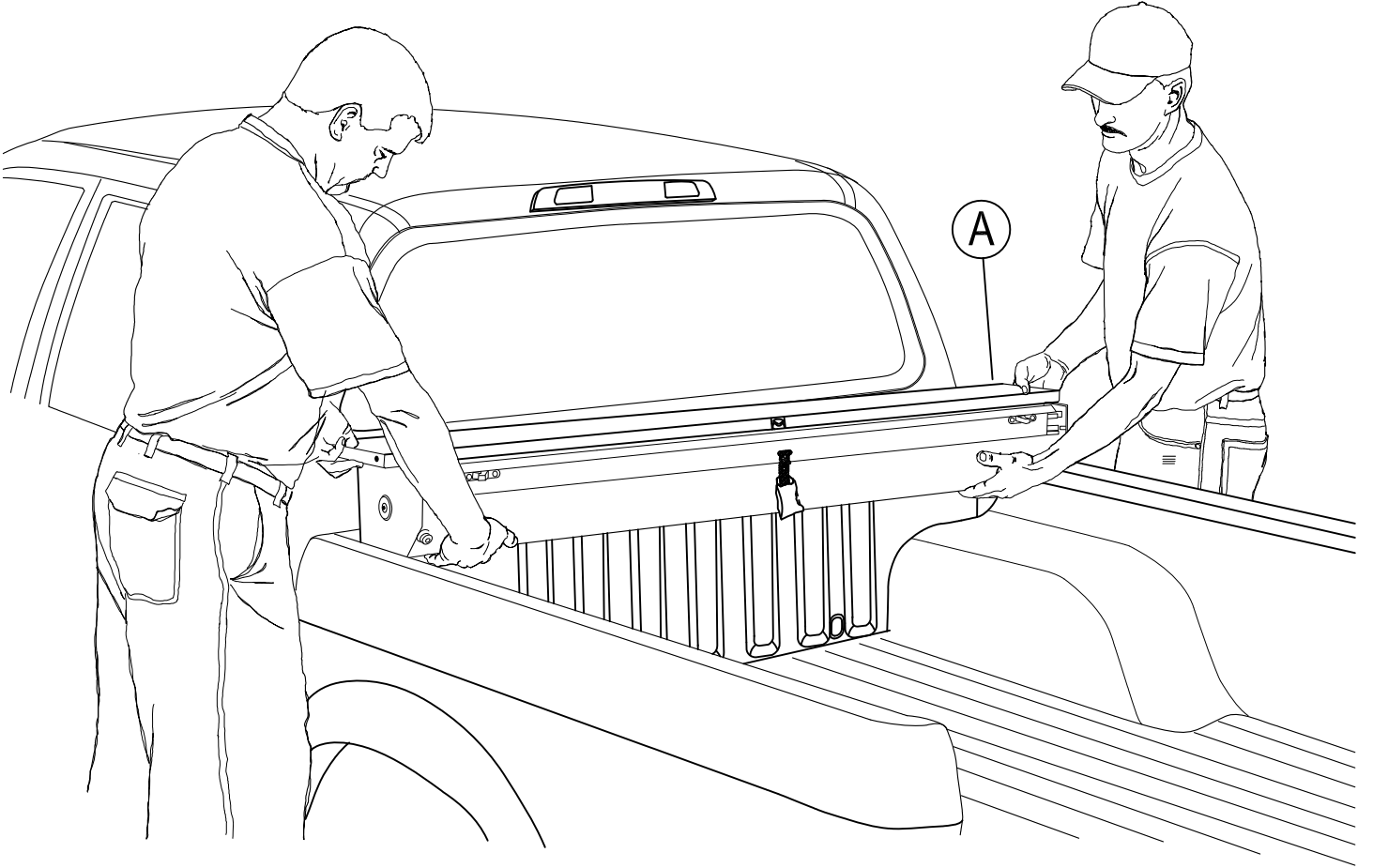


9

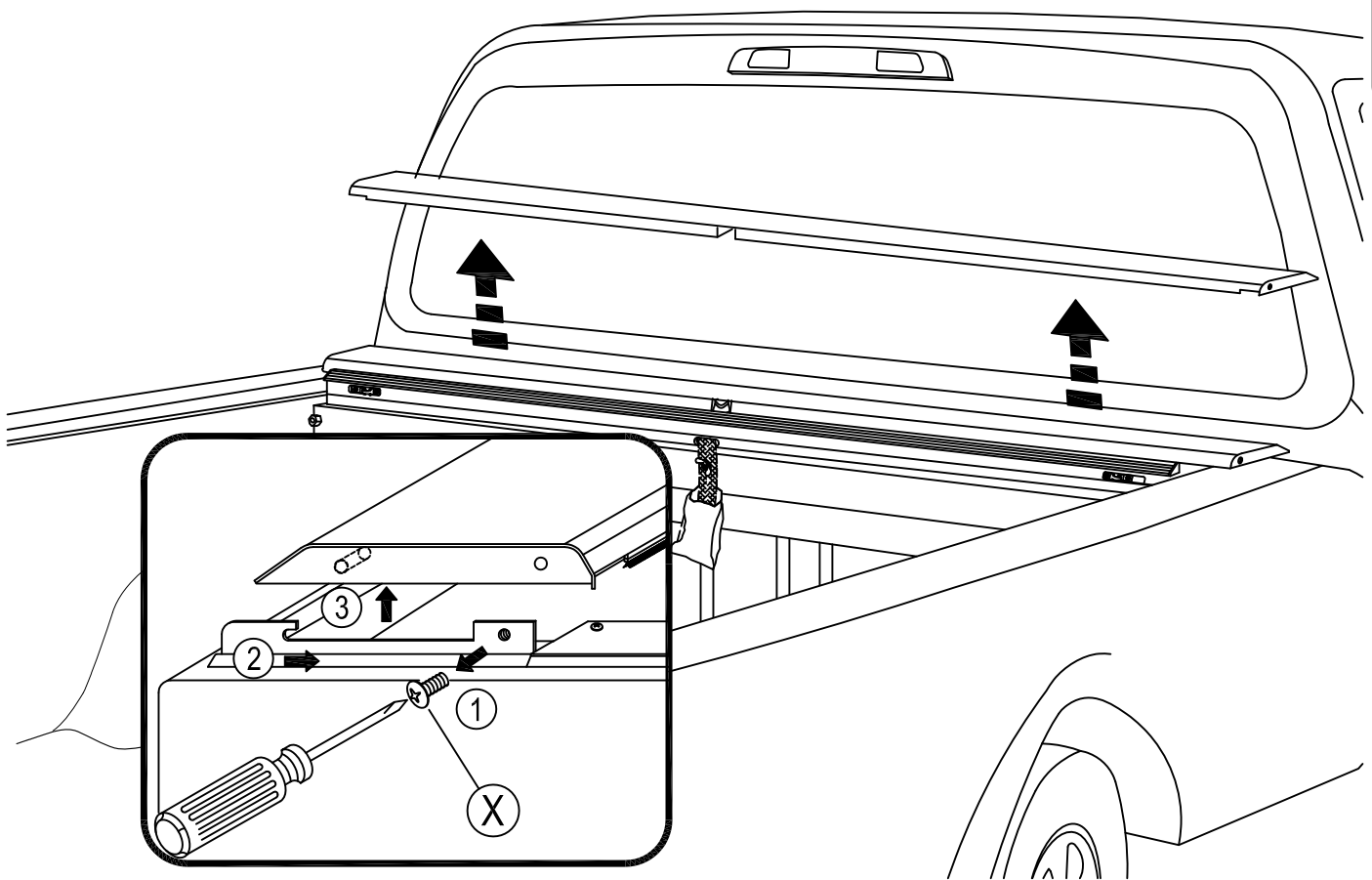
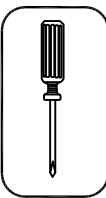




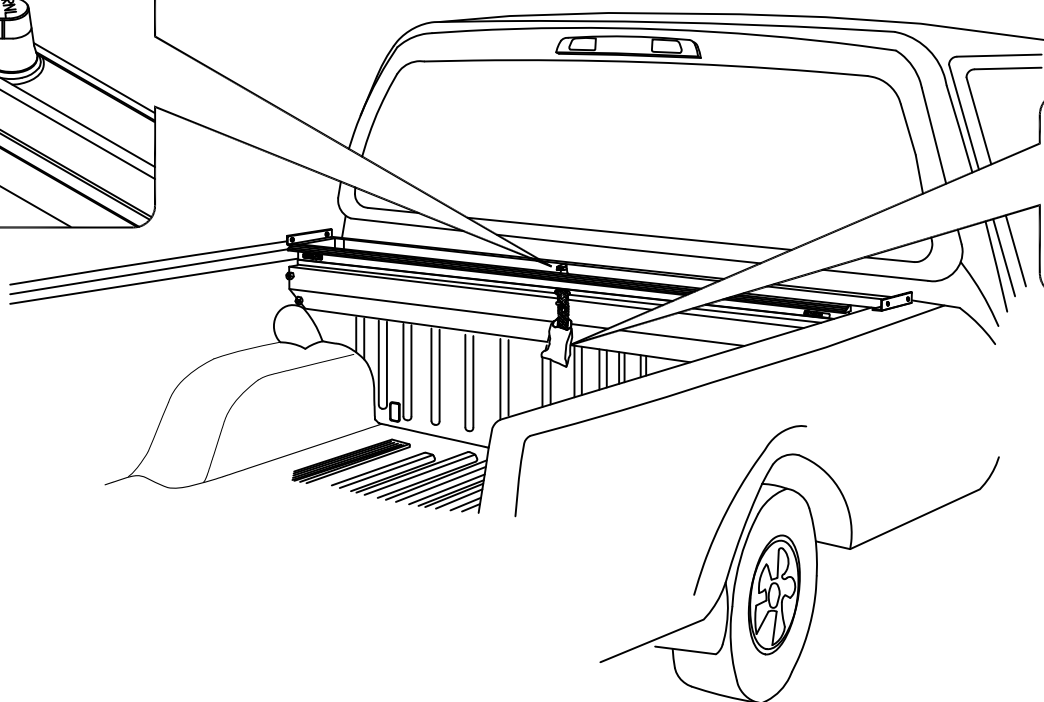
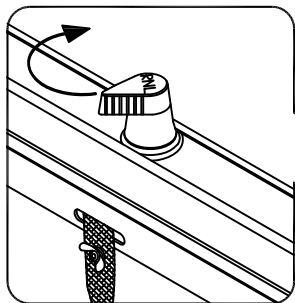
1



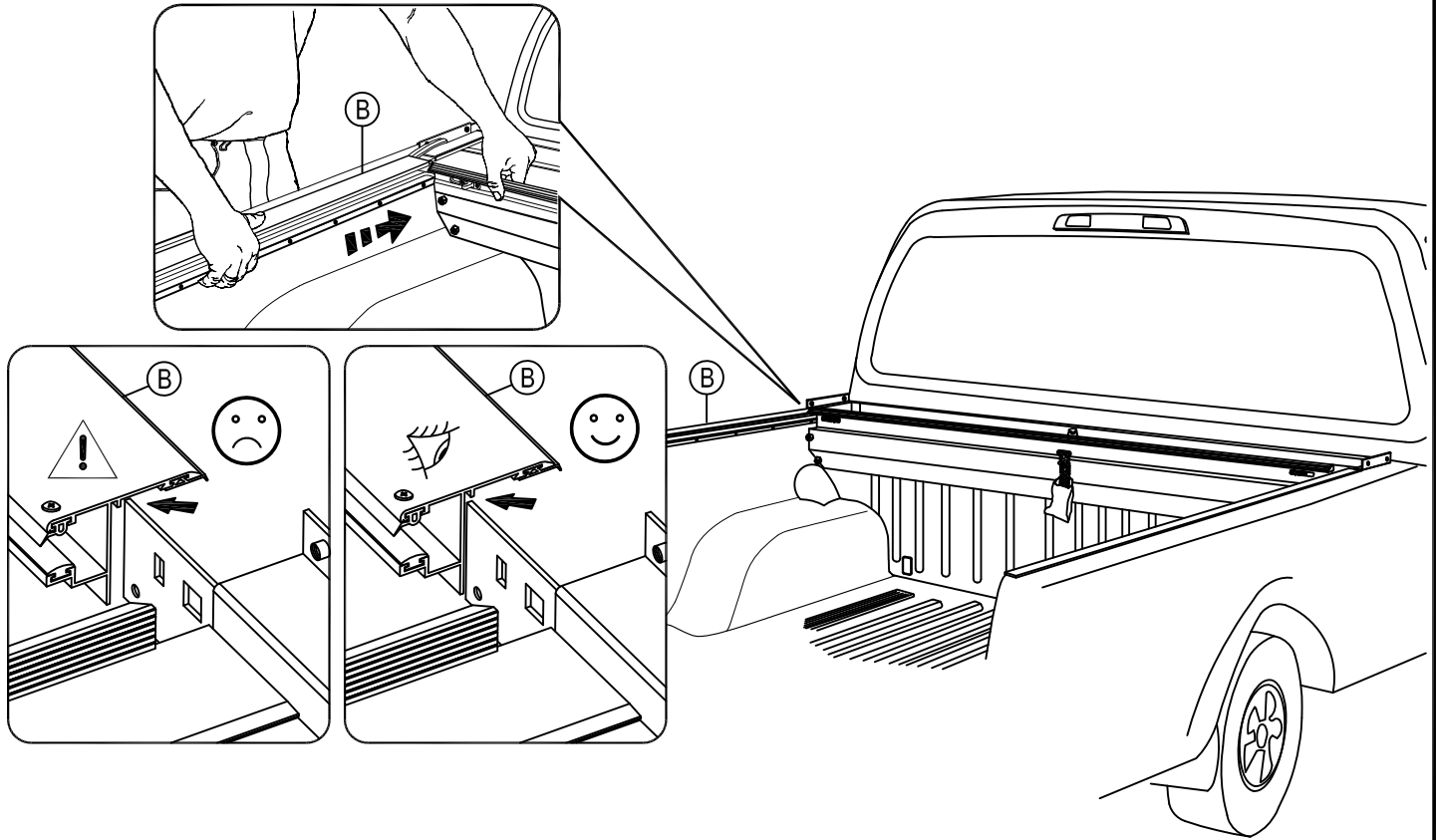
2 LHS = RHS



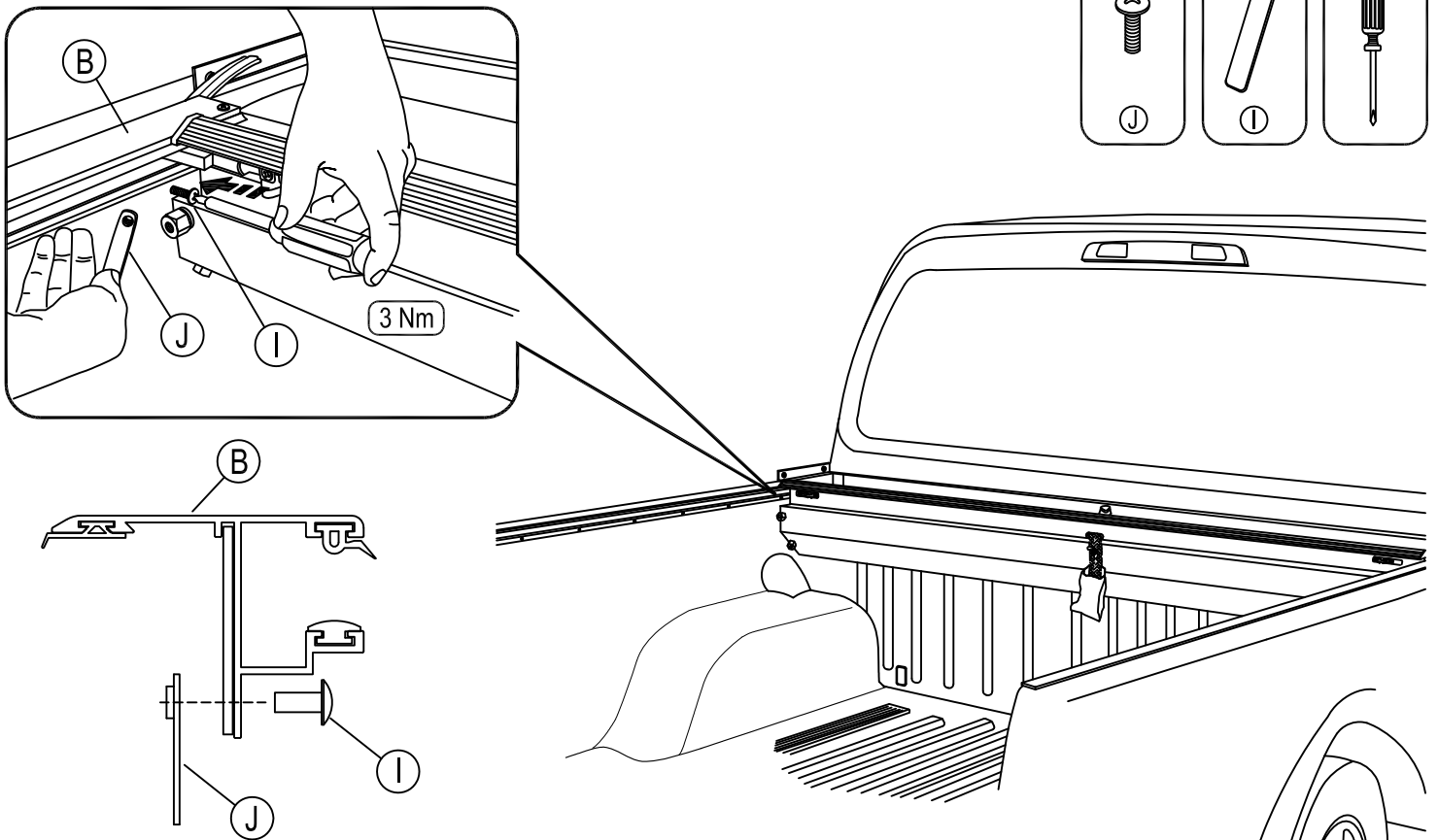
3

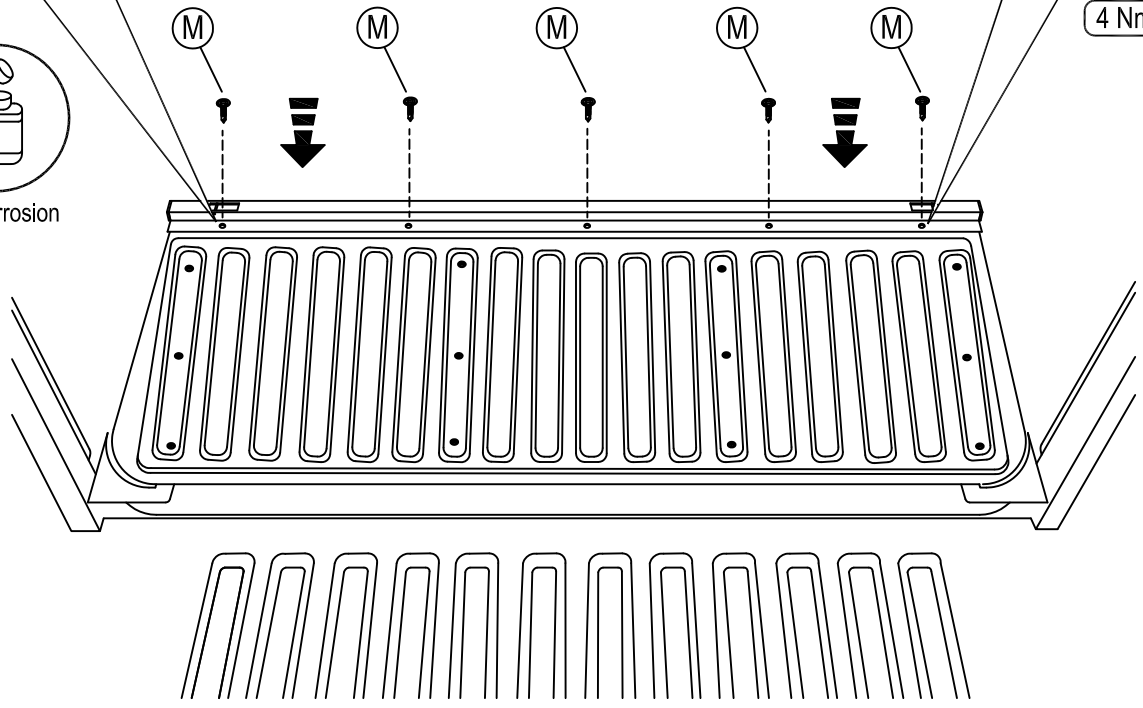
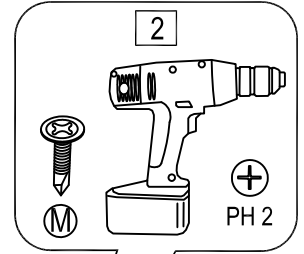
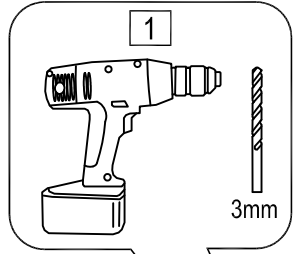
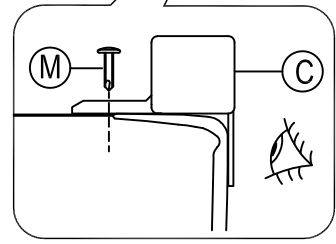
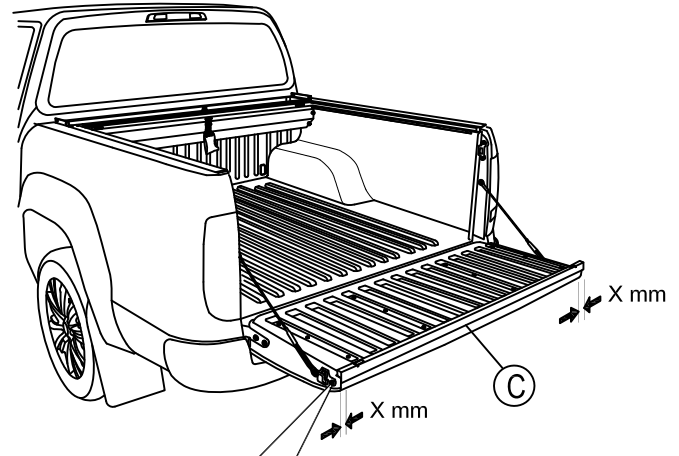
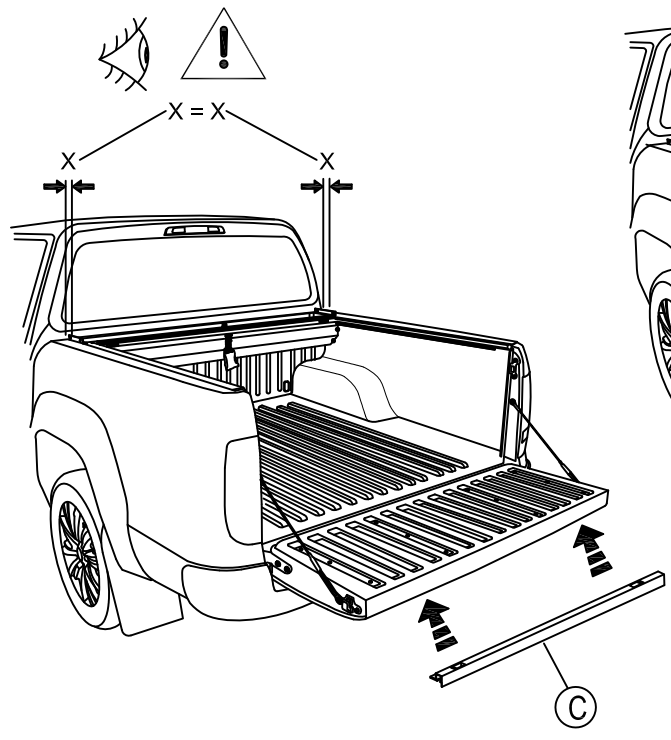
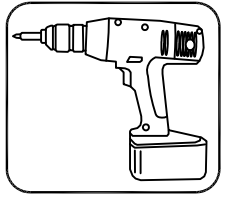
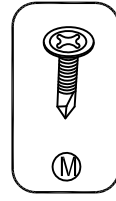


4 LHS = RHS

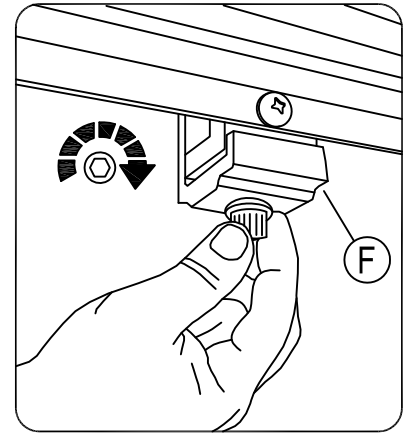
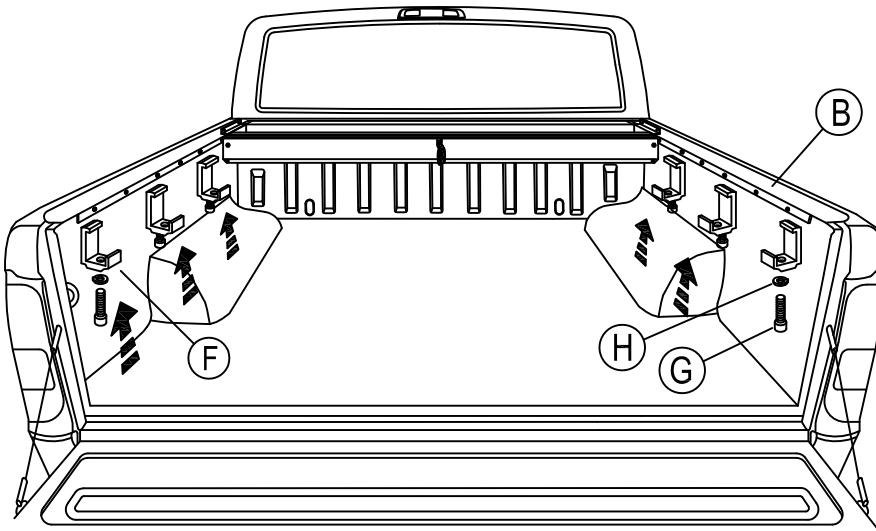
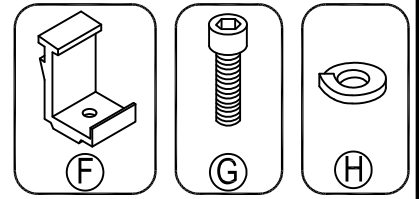


5 LHS = RHS

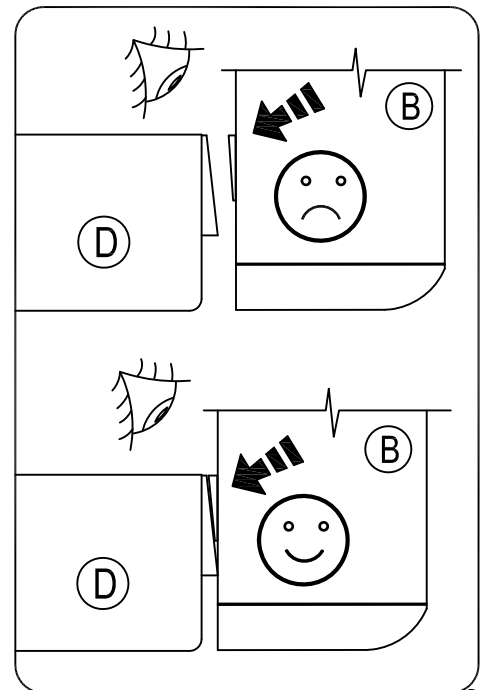
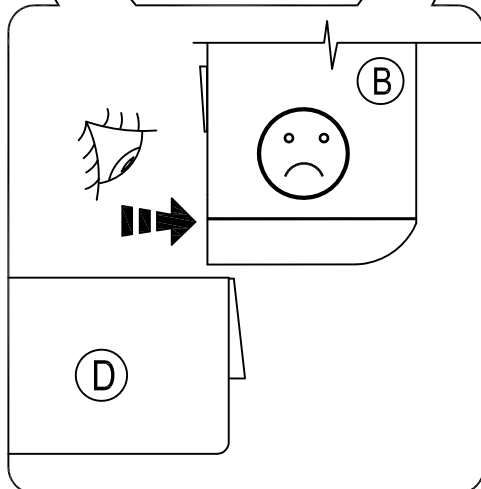
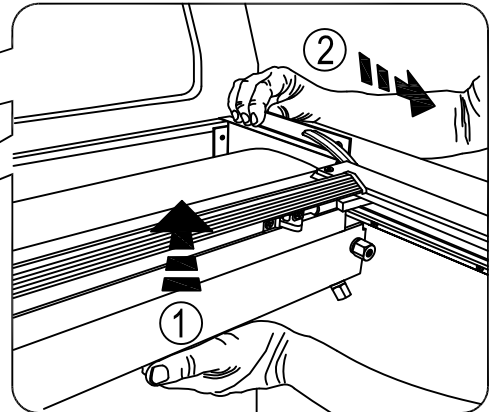
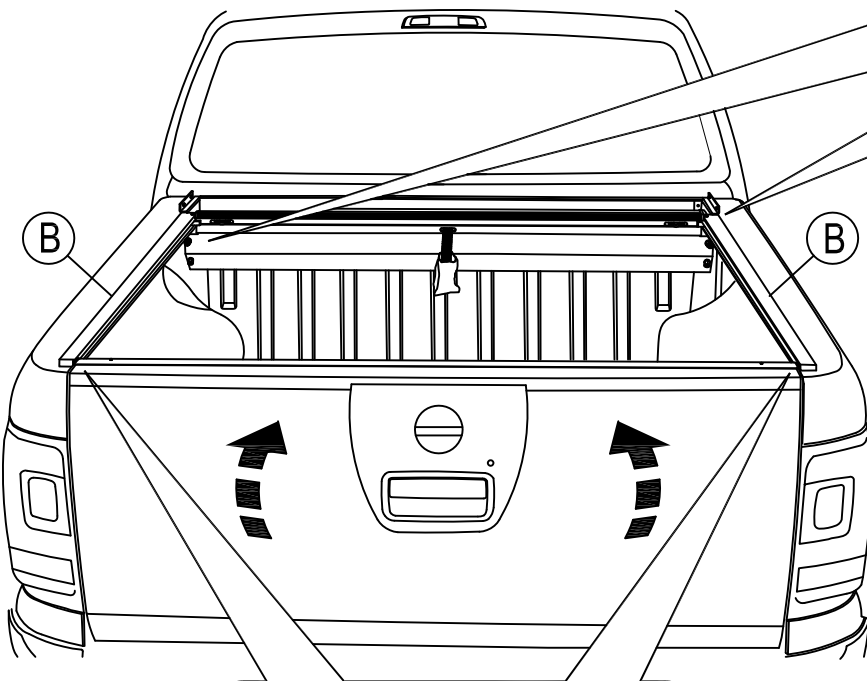


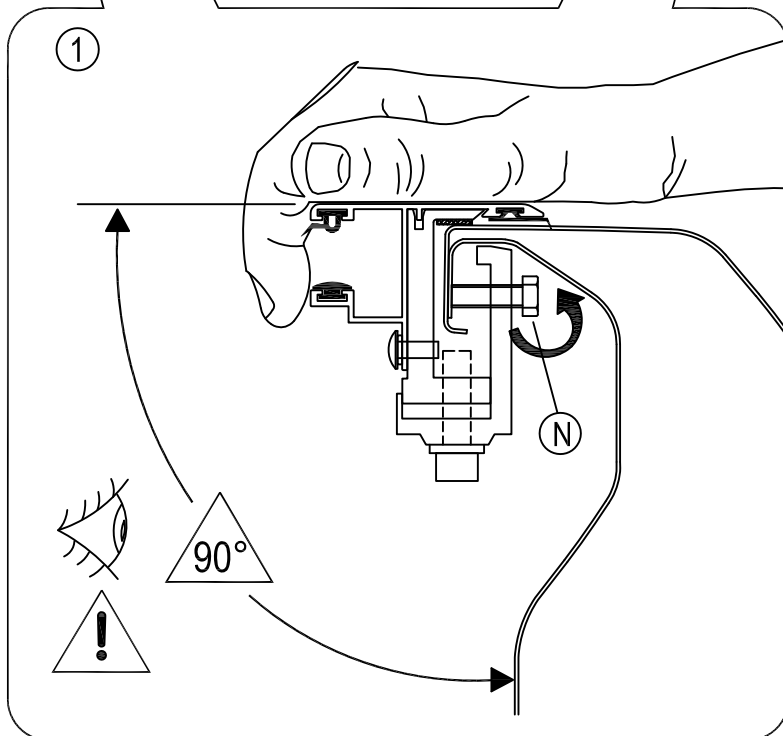
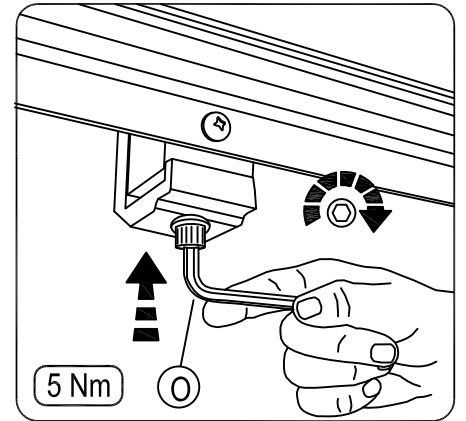
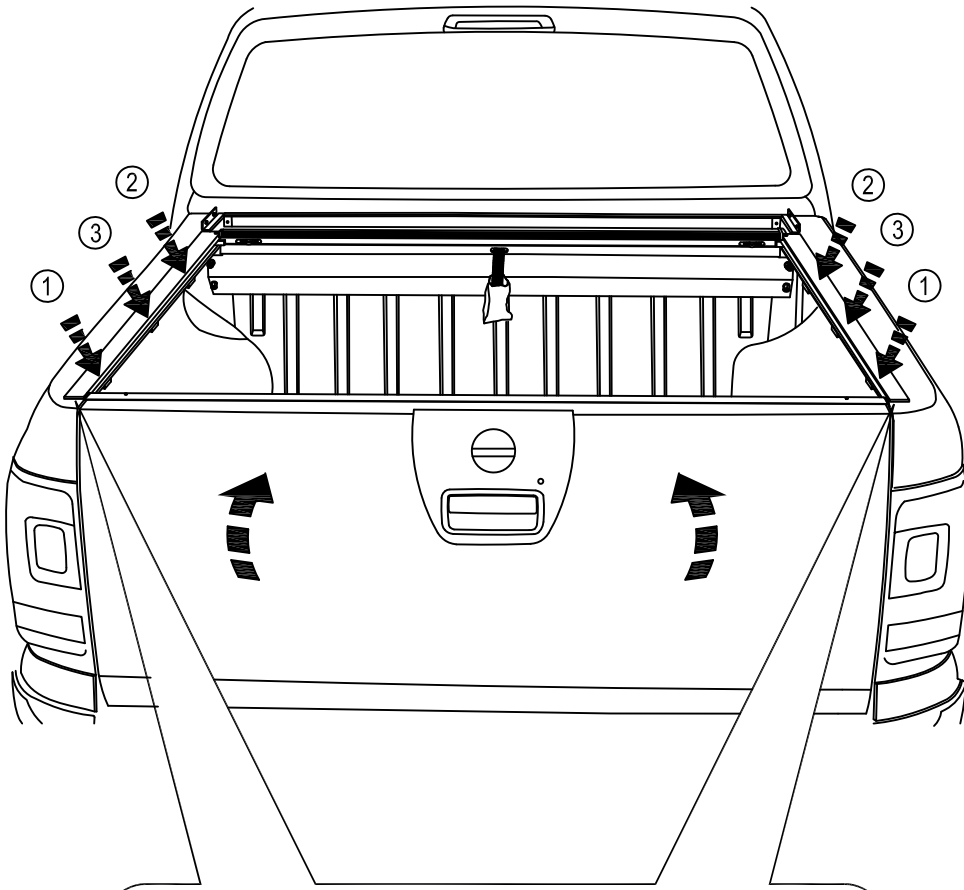
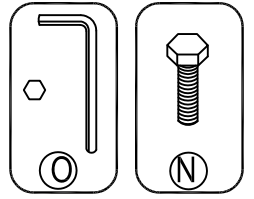


7 LHS = RHS

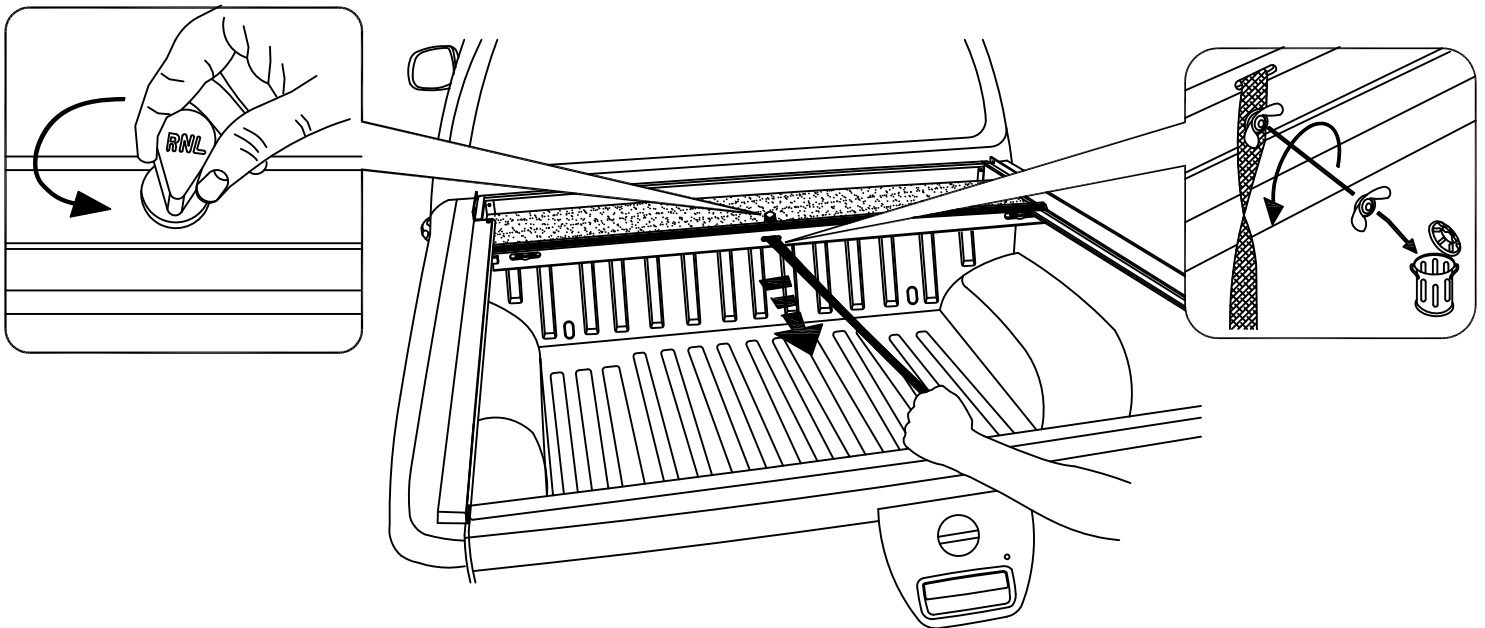


8 LHS = RHS

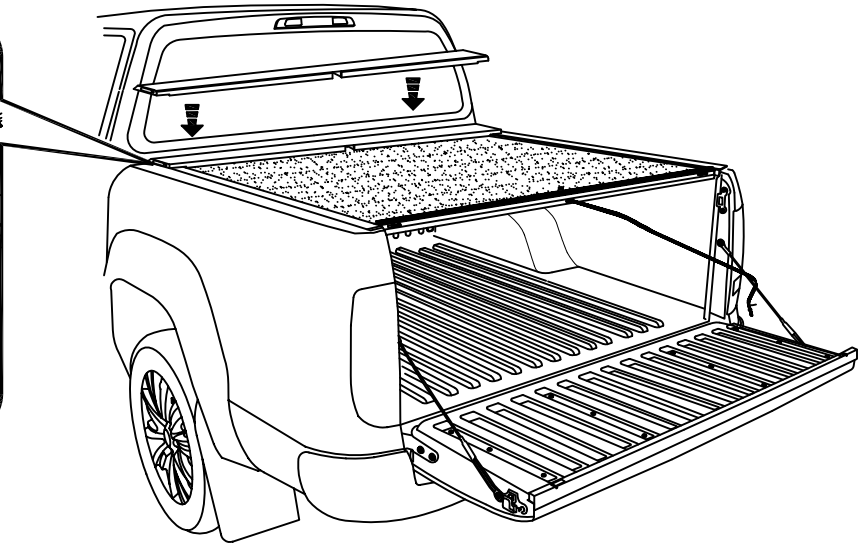
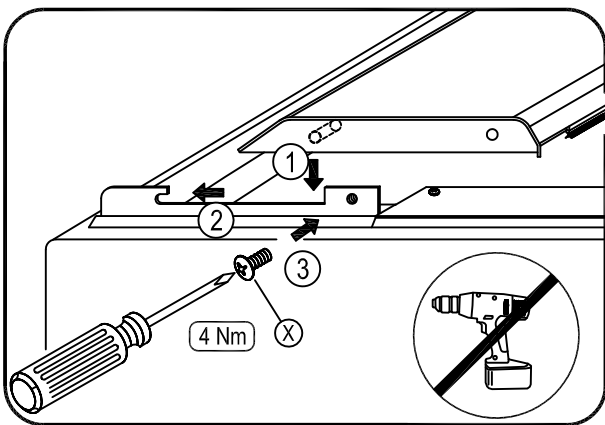
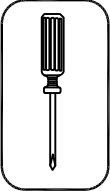




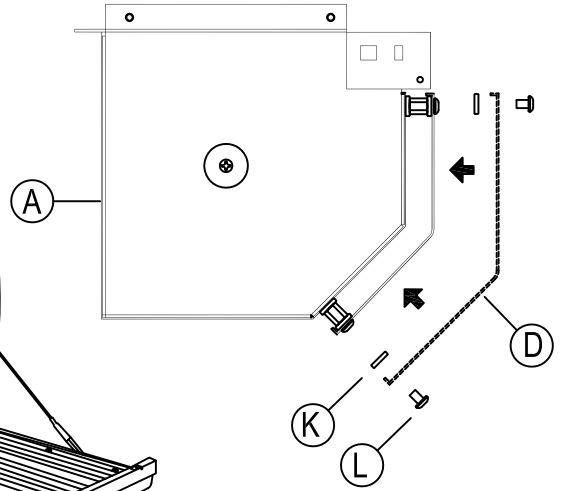
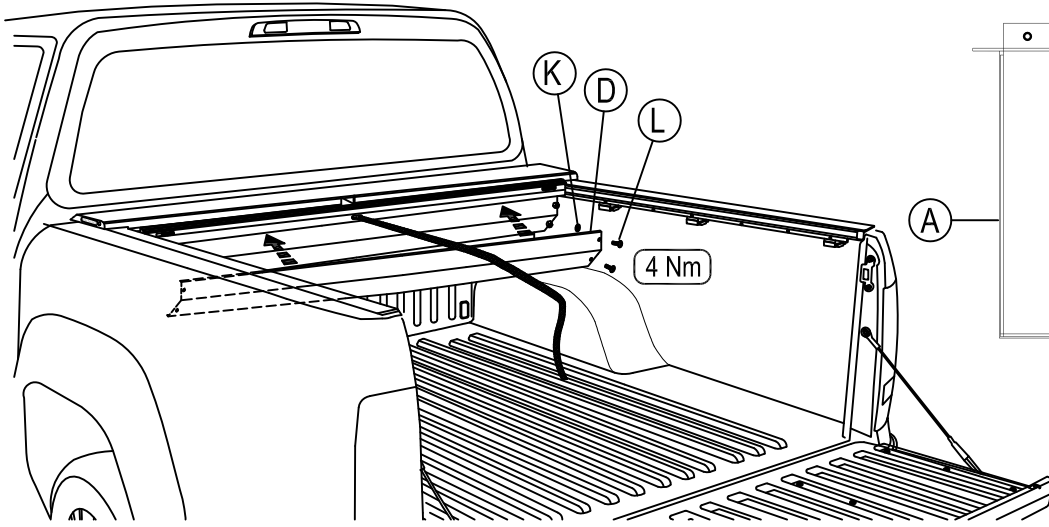
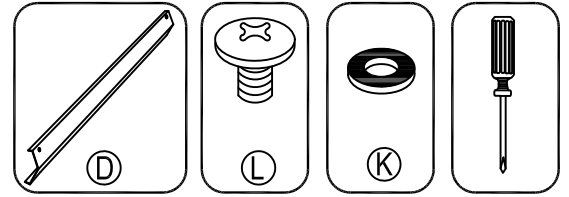
10



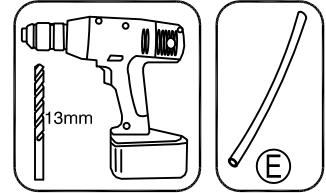
11 LHS = RHS



12 LHS = RHS



13 LHS = RHS



anti-corrosion

